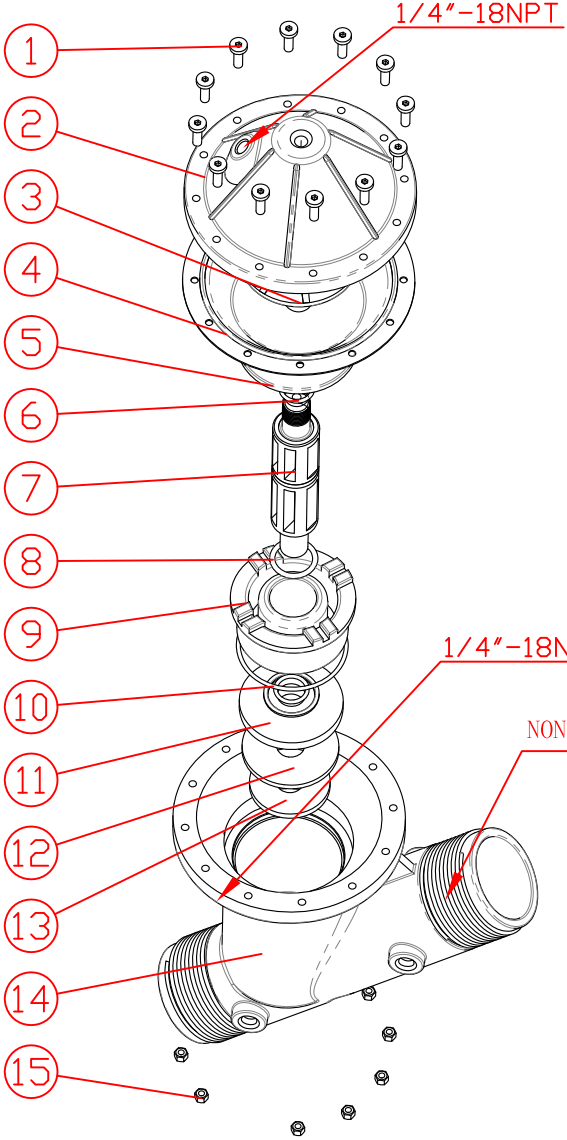


D C

B A

15	5214187	NUT	12	H62
14	5264396	BODY	1	PA6+GF
13	5264374	DISC PLATE NUT	1	PA6+GF
12	5264304	DISC	1	EPDM
11	5264376	DISC HOLDER	1	PA6+GF
10	5264384	O-RING	1	EPDM *
	5264385			NBR
	5264386			FKM
9	5264308	SHAFT GUIDE	1	ABS
8	5264381	O-RING	1	EPDM *
	5264382			NBR
	5264383			FKM
7	5264306	SHAFT	1	ABS
6	5264387	O-RING	2	EPDM *
	5264388			NBR
	5264389			FKM
5	5264322	LWR DIAPH. PLATE	1	PA6+GF
4	5264310	DIAPHRAGM	1	NBR
3	5264313	UPR DIAPH. PLATE	1	PA6+GF
2	5264399	CAP	1	PA6+GF
1	5264390	BOLT	12	SS304
NO.	PART NO.	DESCRIPTION	QTY.	MATERIAL



NOTE: * REPRESENT DEFAULT MATERIAL.

				Y526				JK WATER TREATMENT					
								REVISION		QUANTITY	WEIGHT	SCALE	
								03		/	/	/	
DRAWN BY/DATE		CHECKED BY/DATE		APPROVED BY/DATE		STANDARIZED BY/DATE		UNREMARKED TOLERANCES		MATERIAL GRADE		SHEET 1 OF 1	
								/		/		5261001	

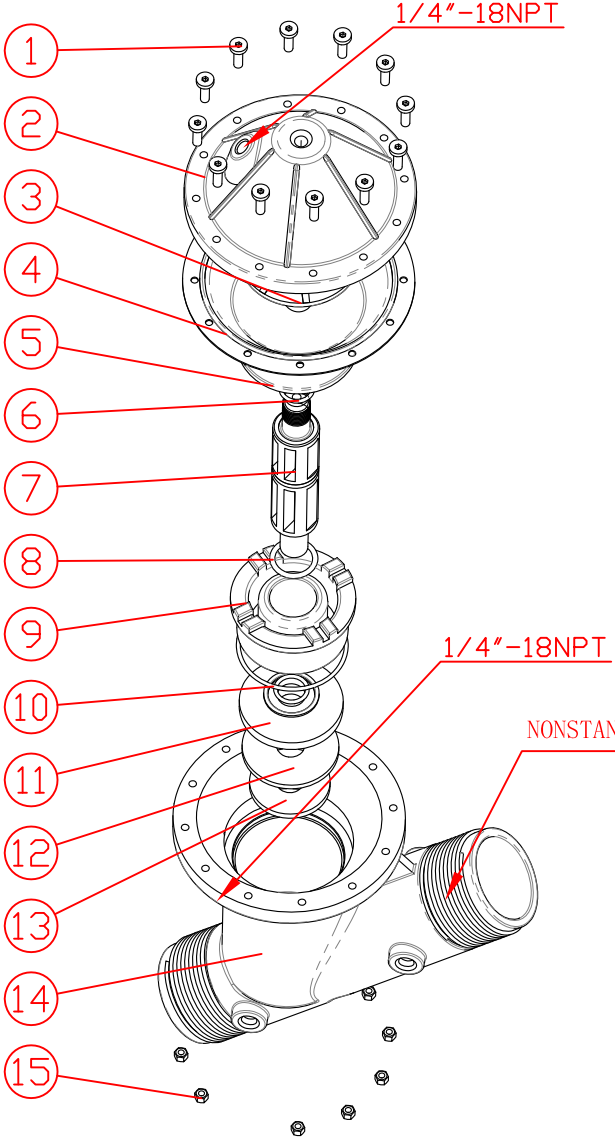
技术部
 2016.09.09
 杨亚洲

D C B A

D | C

B | A

15	5214187	NUT	12	H62
14	5264394	BODY	1	PP+GF
13	5264303	DISC PLATE NUT	1	NORYL
12	5264304	DISC	1	EPDM
11	5264321	DISC HOLDER	1	NORYL
10	5264384	O-RING	1	EPDM *
	5264385			NBR
	5264386			FKM
9	5264308	SHAFT GUIDE	1	ABS
8	5264381	O-RING	1	EPDM *
	5264382			NBR
	5264383			FKM
7	5264306	SHAFT	1	ABS
6	5264387	O-RING	2	EPDM *
	5264388			NBR
	5264389			FKM
5	5264322	LWR DIAPH. PLATE	1	PA6+GF
4	5264310	DIAPHRAGM	1	NBR
3	5264313	UPR DIAPH. PLATE	1	PA6+GF
2	5264397	CAP	1	PP+GF
1	5264390	BOLT	12	SS304
NO.	PART NO.	DESCRIPTION	QTY.	MATERIAL



NOTE: * REPRESENT DEFAULT MATERIAL.

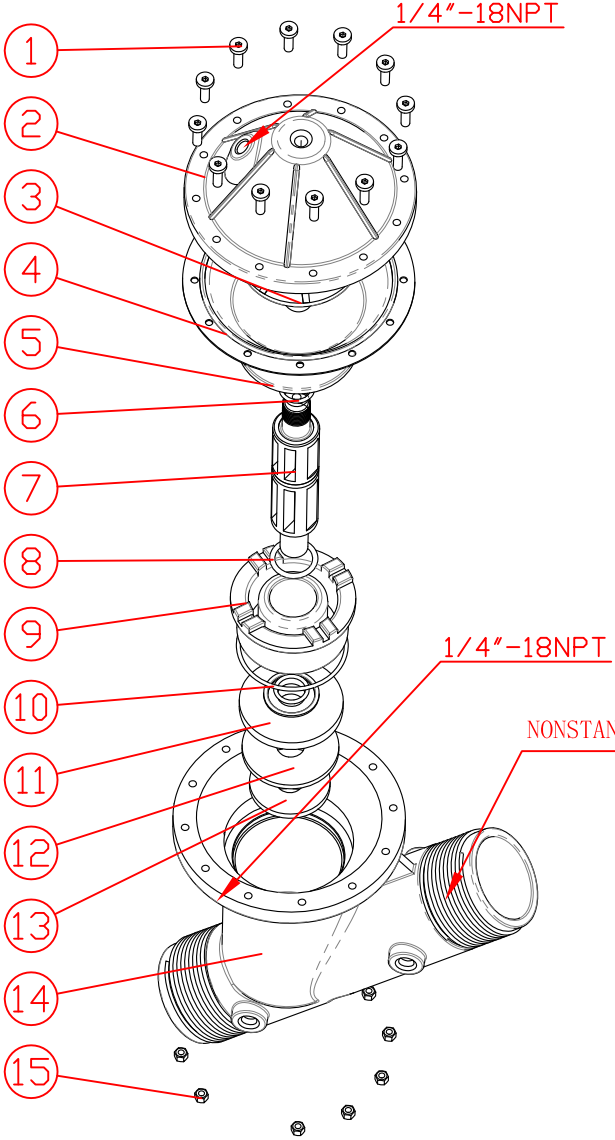
				Y526				JK WATER TREATMENT				
								REVISION		QUANTITY	WEIGHT	SCALE
								03		/	/	/
				REINFORCED PROPENE POLYMER				UNREMARKED TOLERANCES	/	SHEET 1 OF 1		
									MATERIAL GRADE	/	5261002	
								/				
								/				
								/				
NUMBERS	DESCRIPTION OF CHANGES	SIGNATURE	DATE									
		<div style="border: 2px solid red; border-radius: 50%; padding: 5px; display: inline-block;"> 技术部 2016.09.09 杨亚洲 </div>										
DRAWN BY/DATE												
CHECKED BY/DATE												
APPROVED BY/DATE												
STANDARIZED BY/DATE												

D | C | B | A

D C

B A

15	5214187	NUT	12	H62
14	5264395	BODY	1	NORYL
13	5264374	DISC PLATE NUT	1	PA6+GF
12	5264304	DISC	1	EPDM
11	5264376	DISC HOLDER	1	PA6+GF
10	5264384	O-RING	1	EPDM *
	5264385			NBR
	5264386			FKM
9	5264308	SHAFT GUIDE	1	ABS
8	5264381	O-RING	1	EPDM *
	5264382			NBR
	5264383			FKM
7	5264306	SHAFT	1	ABS
6	5264387	O-RING	2	EPDM *
	5264388			NBR
	5264389			FKM
5	5264322	LWR DIAPH. PLATE	1	PA6+GF
4	5264310	DIAPHRAGM	1	NBR
3	5264313	UPR DIAPH. PLATE	1	PA6+GF
2	5264398	CAP	1	NORYL
1	5264390	BOLT	12	SS304
NO.	PART NO.	DESCRIPTION	QTY.	MATERIAL



NOTE: * REPRESENT DEFAULT MATERIAL.

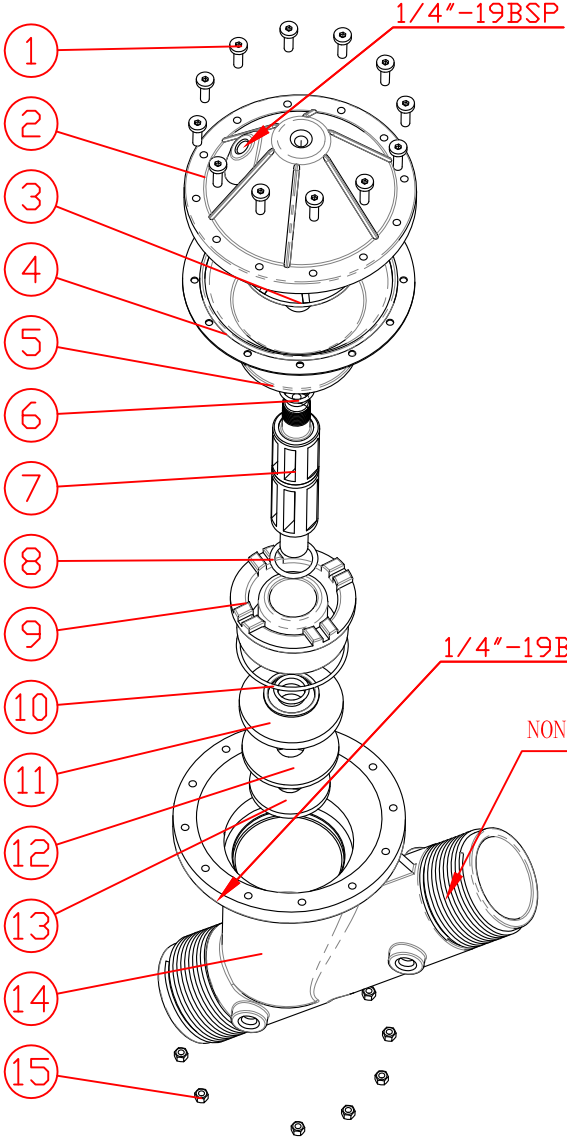
				JK WATER TREATMENT					
				Y526					
				REVISION		QUANTITY	WEIGHT	SCALE	
				03		/	/	/	
				UNREMARKED TOLERANCES		/		SHEET 1 OF 1	
				MATERIAL GRADE		/		5261003	
6	NUMBERS	DESCRIPTION OF CHANGES	SIGNATURE	DATE					
	DRAWN BY/DATE		<div style="border: 2px solid red; border-radius: 50%; padding: 5px; display: inline-block;"> 技术部 2016.09.09 杨亚洲 </div>		NORYL				
	CHECKED BY/DATE								
	APPROVED BY/DATE								
	STANDARIZED BY/DATE								

D C B A

D C

B A

15	5214187	NUT	12	H62
14	5264373	BODY	1	PA6+GF
13	5264374	DISC PLATE NUT	1	PA6+GF
12	5264304	DISC	1	EPDM
11	5264376	DISC HOLDER	1	PA6+GF
10	5264384	O-RING	1	EPDM *
	5264385			NBR
	5264386			FKM
9	5264308	SHAFT GUIDE	1	ABS
8	5264381	O-RING	1	EPDM *
	5264382			NBR
	5264383			FKM
7	5264306	SHAFT	1	ABS
6	5264387	O-RING	2	EPDM *
	5264388			NBR
	5264389			FKM
5	5264322	LWR DIAPH. PLATE	1	PA6+GF
4	5264310	DIAPHRAGM	1	NBR
3	5264313	UPR DIAPH. PLATE	1	PA6+GF
2	5264380	CAP	1	PA6+GF
1	5264390	BOLT	12	SS304
NO.	PART NO.	DESCRIPTION	QTY.	MATERIAL



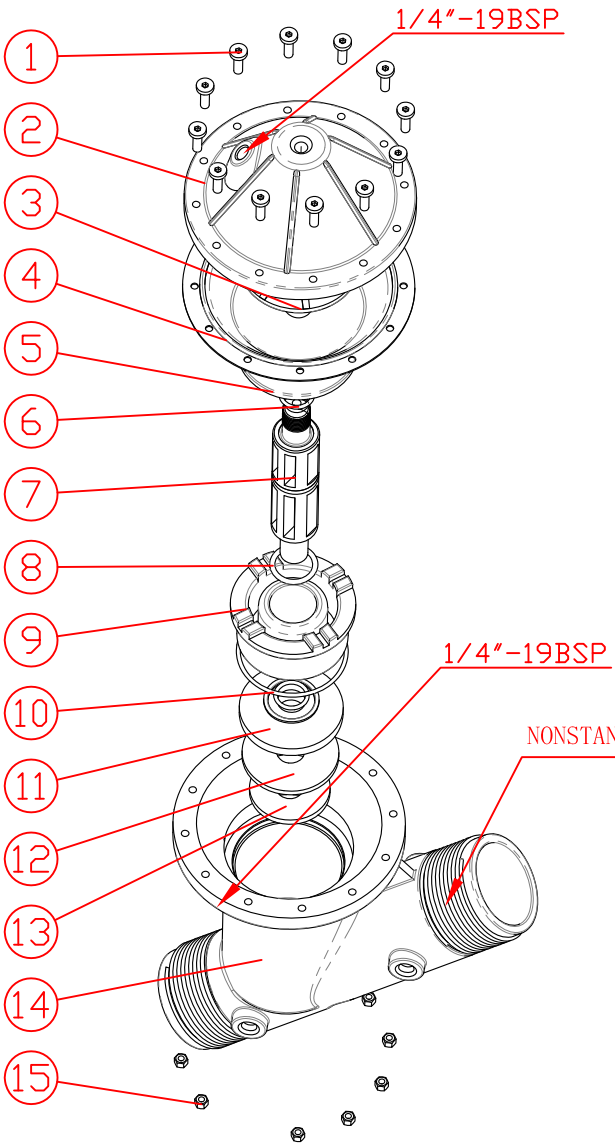
NOTE: * REPRESENT DEFAULT MATERIAL.

				Y526				JK WATER TREATMENT				
								REVISION		QUANTITY	WEIGHT	SCALE
								03		/	/	/
6	NUMBERS	DESCRIPTION OF CHANGES	SIGNATURE	DATE	GLASS FIBRE REINFORCED NYLON				UNREMARKED TOLERANCES	/	SHEET 1 OF 1	
DRAWN BY/DATE	CHECKED BY/DATE	APPROVED BY/DATE	STANDARIZED BY/DATE	MATERIAL GRADE					/	5261004		
TECHNICAL DEPARTMENT	2016.09.09	YANG YAZHOU		/								
				/								
				D C				B A				

D C

B A

15	5214187	NUT	12	H62
14	5264302	BODY	1	PP+GF
13	5264303	DISC PLATE NUT	1	NORYL
12	5264304	DISC	1	EPDM
11	5264321	DISC HOLDER	1	NORYL
10	5264384	O-RING	1	EPDM *
	5264385			NBR
	5264386			FKM
9	5264308	SHAFT GUIDE	1	ABS
8	5264381	O-RING	1	EPDM *
	5264382			NBR
	5264383			FKM
7	5264306	SHAFT	1	ABS
6	5264387	O-RING	2	EPDM *
	5264388			NBR
	5264389			FKM
5	5264322	LWR DIAPH. PLATE	1	PA6+GF
4	5264310	DIAPHRAGM	1	NBR
3	5264313	UPR DIAPH. PLATE	1	PA6+GF
2	5264315	CAP	1	PP+GF
1	5264390	BOLT	12	SS304
NO.	PART NO.	DESCRIPTION	QTY.	MATERIAL



NOTE: * REPRESENT DEFAULT MATERIAL.

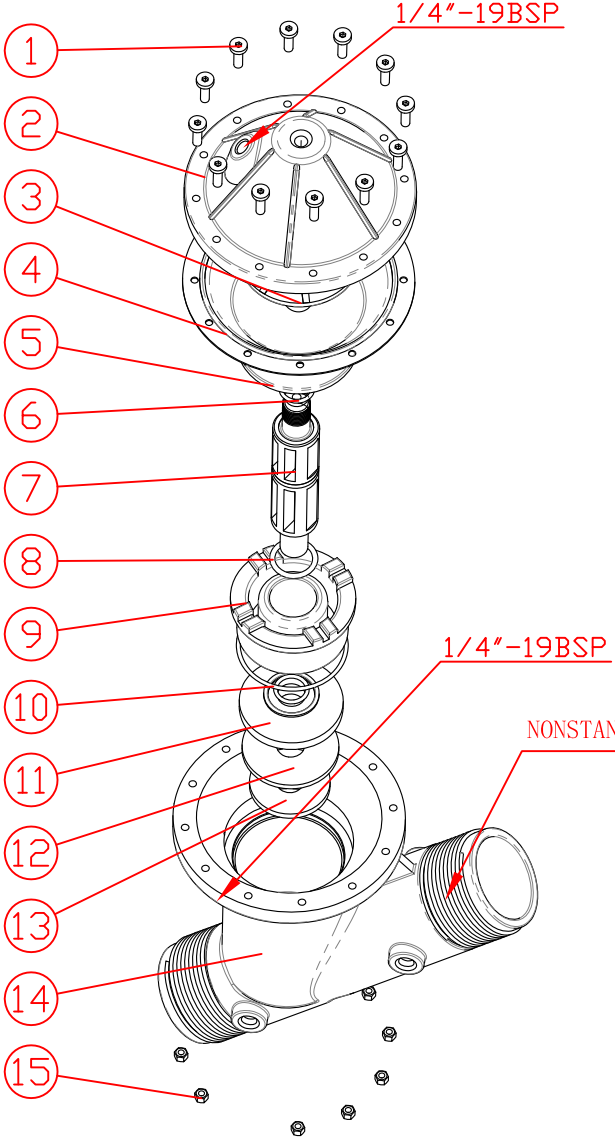
				Y526				JK WATER TREATMENT																					
								REVISION		QUANTITY	WEIGHT	SCALE																	
								03		/	/	/																	
<table border="1"> <thead> <tr> <th>NUMBERS</th> <th>DESCRIPTION OF CHANGES</th> <th>SIGNATURE</th> <th>DATE</th> </tr> </thead> <tbody> <tr> <td></td> <td></td> <td>技术部</td> <td></td> </tr> <tr> <td></td> <td></td> <td>2016.09.09</td> <td></td> </tr> <tr> <td></td> <td></td> <td>杨亚洲</td> <td></td> </tr> </tbody> </table>				NUMBERS	DESCRIPTION OF CHANGES	SIGNATURE	DATE			技术部				2016.09.09				杨亚洲		REINFORCED PROPENE POLYMER				UNREMARKED TOLERANCES		SHEET 1 OF 1			
NUMBERS	DESCRIPTION OF CHANGES	SIGNATURE	DATE																										
		技术部																											
		2016.09.09																											
		杨亚洲																											
DRAWN BY/DATE								/																					
CHECKED BY/DATE								/		5261005																			
APPROVED BY/DATE								/																					
STANDARIZED BY/DATE								/																					

D C B A

D | C

B | A

15	5214187	NUT	12	H62
14	5264372	BODY	1	NORYL
13	5264374	DISC PLATE NUT	1	PA6+GF
12	5264304	DISC	1	EPDM
11	5264376	DISC HOLDER	1	PA6+GF
10	5264384	O-RING	1	EPDM *
	5264385			NBR
	5264386			FKM
9	5264308	SHAFT GUIDE	1	ABS
8	5264381	O-RING	1	EPDM *
	5264382			NBR
	5264383			FKM
7	5264306	SHAFT	1	ABS
6	5264387	O-RING	2	EPDM *
	5264388			NBR
	5264389			FKM
5	5264322	LWR DIAPH. PLATE	1	PA6+GF
4	5264310	DIAPHRAGM	1	NBR
3	5264313	UPR DIAPH. PLATE	1	PA6+GF
2	5264379	CAP	1	NORYL
1	5264390	BOLT	12	SS304
NO.	PART NO.	DESCRIPTION	QTY.	MATERIAL



NOTE: * REPRESENT DEFAULT MATERIAL.

				JK WATER TREATMENT				
				Y526				
				REVISION		QUANTITY	WEIGHT	SCALE
				03		/	/	/
				UNREMARKED TOLERANCES		/		SHEET 1 OF 1
				MATERIAL GRADE		/		5261006
6	NUMBERS	DESCRIPTION OF CHANGES	SIGNATURE	DATE				
	DRAWN BY/DATE		<div style="border: 2px solid red; border-radius: 50%; padding: 10px; display: inline-block;"> 技术部 2016.09.09 杨亚洲 </div>					
	CHECKED BY/DATE							
	APPROVED BY/DATE							
	STANDARIZED BY/DATE							

D | C | B | A