

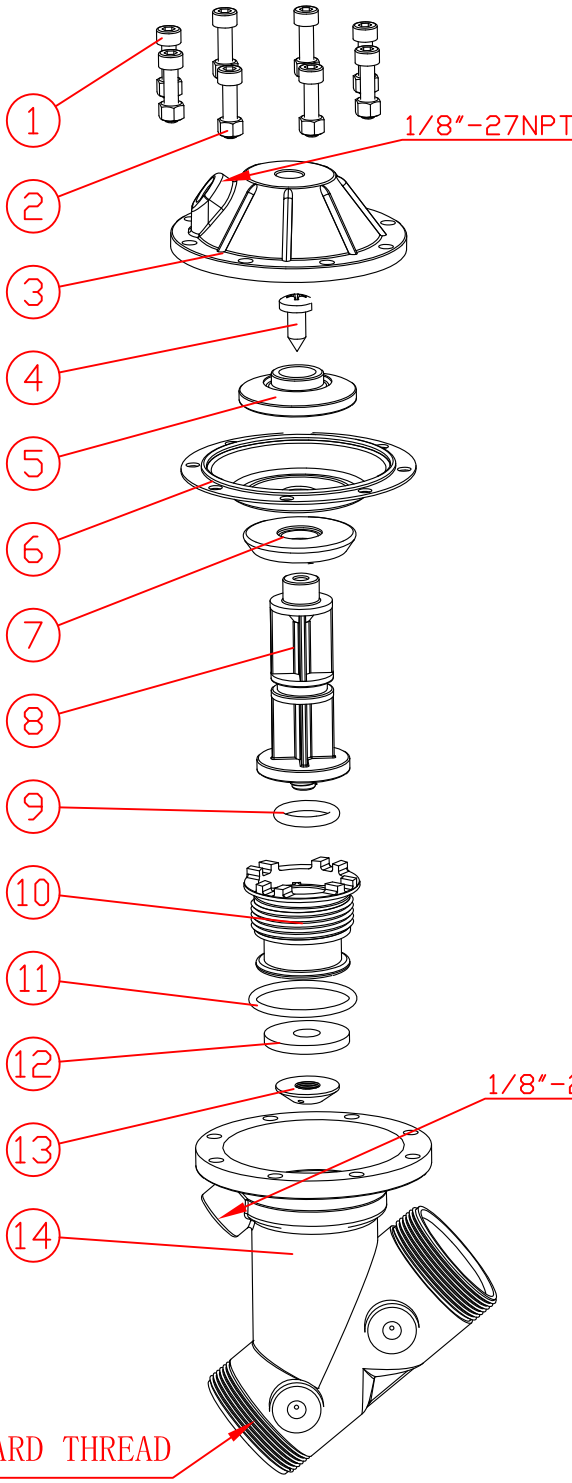
D

C

B

A

14	5214193	BODY	1	PA6+GF
13	5214174	DISC PLATE NUT	1	PA6+GF
12	5214104	DISC	1	EPDM
11	5214179	O-RING	1	EPDM *
	5214180			NBR
	5214181			FKM
10	5214107	SHAFT GUIDE	1	NORYL
9	5214182	O-RING	1	EPDM *
	5214183			NBR
	5214184			FKM
8	5214118	SHAFT	1	NORYL
7	5214111	LWR DIAPH. PLATE	1	PA6+GF
6	5214110	DIAPHRAGM	1	NBR
5	5214112	UPR DIAPH. PLATE	1	PA6+GF
4	5214185	TAPPING SCREW	1	SS304
3	5214196	CAP	1	PA6+GF
2	5214187	NUT	8	H62
1	5214186	BOLT	8	SS304
NO.	PART NO.	DESCRIPTION	QTY.	MATERIAL



NOTE: * REPRESENT DEFAULT MATERIAL.

NONSTANDARD THREAD

JK WATER TREATMENT

Y521

REVISION	QUANTITY	WEIGHT	SCALE
03	/	/	/

NUMBERS	DESCRIPTION OF CHANGES	SIGNATURE	DATE

技术部
 2016.09.09
 杨亚洲

GLASS FIBRE REINFORCED NYLON

UNREMARKED TOLERANCES	/	SHEET 1 OF 1
MATERIAL GRADE	/	
		5211001

D

C

B

A

D

C

B

A

1

2

3

4

5

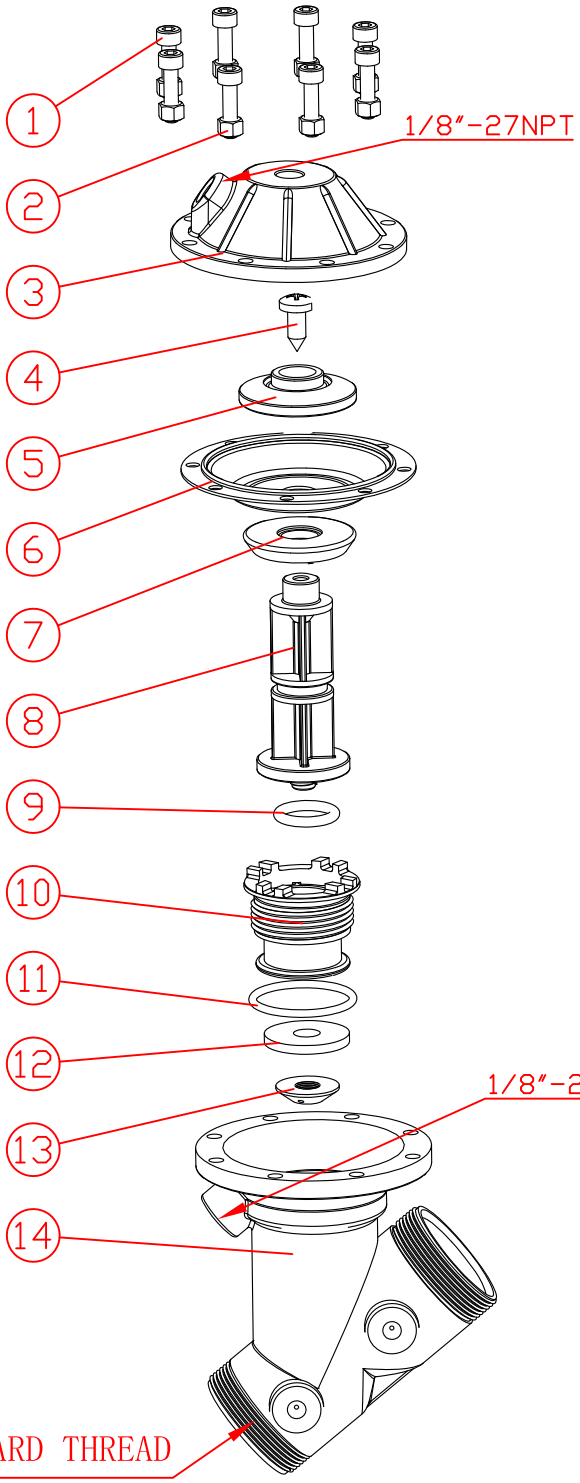
1

2

3

4

5



14	5214191	BODY	1	PP+GF
13	5214103	DISC PLATE NUT	1	NORYL
12	5214104	DISC	1	EPDM
11	5214179	O-RING	1	EPDM *
	5214180			NBR
	5214181			FKM
10	5214107	SHAFT GUIDE	1	NORYL
9	5214182	O-RING	1	EPDM *
	5214183			NBR
	5214184			FKM
8	5214118	SHAFT	1	NORYL
7	5214111	LWR DIAPH. PLATE	1	PA6+GF
6	5214110	DIAPHRAGM	1	NBR
5	5214112	UPR DIAPH. PLATE	1	PA6+GF
4	5214185	TAPPING SCREW	1	SS304
3	5214194	CAP	1	PP+GF
2	5214187	NUT	8	H62
1	5214186	BOLT	8	SS304
NO.	PART NO.	DESCRIPTION	QTY.	MATERIAL

NOTE: * REPRESENT DEFAULT MATERIAL.

NONSTANDARD THREAD

NUMBERS	DESCRIPTION OF CHANGES	SIGNATURE	DATE

技术部
2016.09.09
杨亚洲

Y521

REINFORCED PROPENE POLYMER

JK WATER TREATMENT			
REVISION	QUANTITY	WEIGHT	SCALE
03	/	/	/
UNREMARKED TOLERANCES	/	SHEET 1 OF 1	
MATERIAL GRADE	/	5211002	

D

C

B

A

6

6

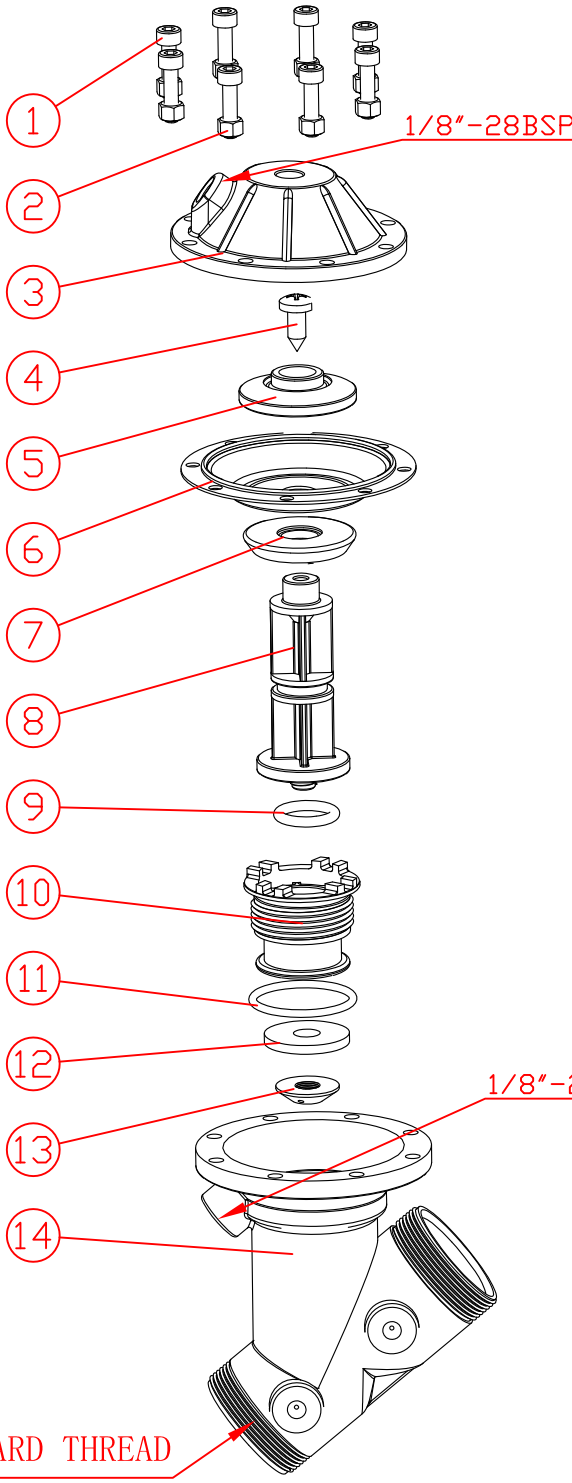
D

C

B

A

14	5214173	BODY	1	PA6+GF
13	5214174	DISC PLATE NUT	1	PA6+GF
12	5214104	DISC	1	EPDM
11	5214179	O-RING	1	EPDM *
	5214180			NBR
	5214181			FKM
10	5214107	SHAFT GUIDE	1	NORYL
9	5214182	O-RING	1	EPDM *
	5214183			NBR
	5214184			FKM
8	5214118	SHAFT	1	NORYL
7	5214111	LWR DIAPH. PLATE	1	PA6+GF
6	5214110	DIAPHRAGM	1	NBR
5	5214112	UPR DIAPH. PLATE	1	PA6+GF
4	5214185	TAPPING SCREW	1	SS304
3	5214178	CAP	1	PA6+GF
2	5214187	NUT	8	H62
1	5214186	BOLT	8	SS304
NO.	PART NO.	DESCRIPTION	QTY.	MATERIAL



NOTE: * REPRESENT DEFAULT MATERIAL.

NONSTANDARD THREAD

JK WATER TREATMENT

Y521

REVISION	QUANTITY	WEIGHT	SCALE
03	/	/	/

SHEET 1 OF 1

GLASS FIBRE REINFORCED NYLON

5211004

NUMBERS	DESCRIPTION OF CHANGES	SIGNATURE	DATE
		技术部	2016.09.09
		杨亚洲	
DRAWN BY/DATE			
CHECKED BY/DATE			
APPROVED BY/DATE			
STANDARIZED BY/DATE			

D

C

B

A

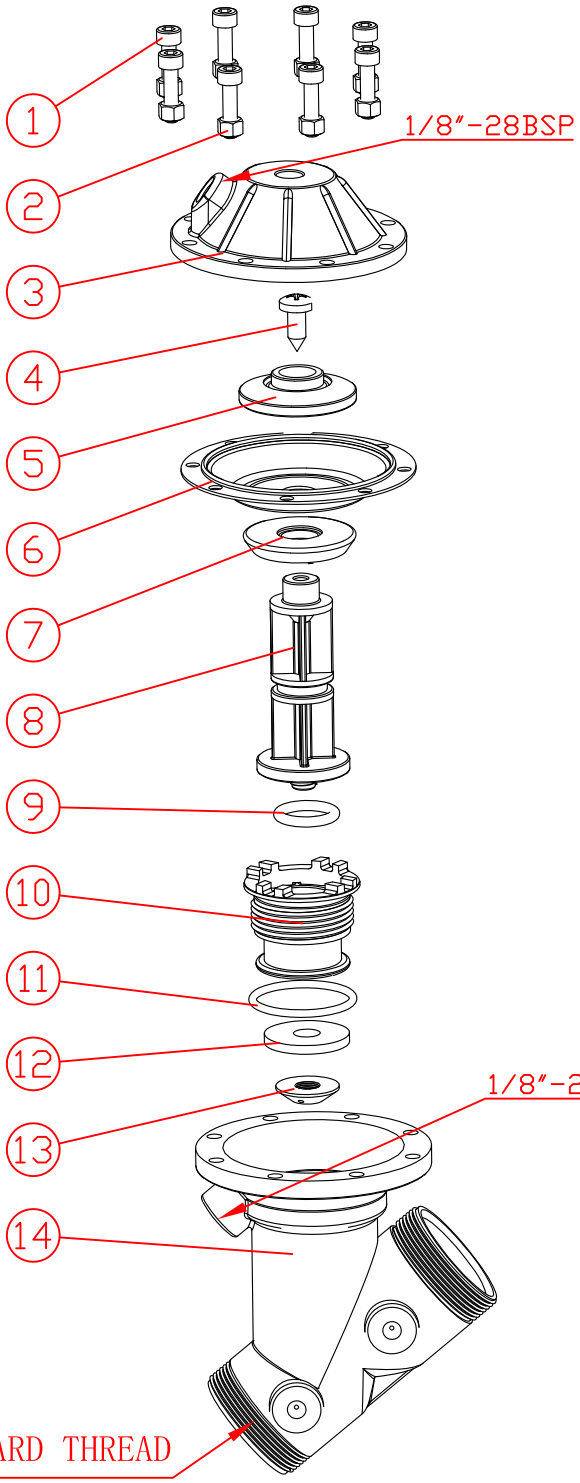
D

C

B

A

14	5214102	BODY	1	PP+GF
13	5214103	DISC PLATE NUT	1	NORYL
12	5214104	DISC	1	EPDM
11	5214179	O-RING	1	EPDM *
	5214180			NBR
	5214181			FKM
10	5214107	SHAFT GUIDE	1	NORYL
9	5214182	O-RING	1	EPDM *
	5214183			NBR
	5214184			FKM
8	5214118	SHAFT	1	NORYL
7	5214111	LWR DIAPH. PLATE	1	PA6+GF
6	5214110	DIAPHRAGM	1	NBR
5	5214112	UPR DIAPH. PLATE	1	PA6+GF
4	5214185	TAPPING SCREW	1	SS304
3	5214119	CAP	1	PP+GF
2	5214187	NUT	8	H62
1	5214186	BOLT	8	SS304
NO.	PART NO.	DESCRIPTION	QTY.	MATERIAL

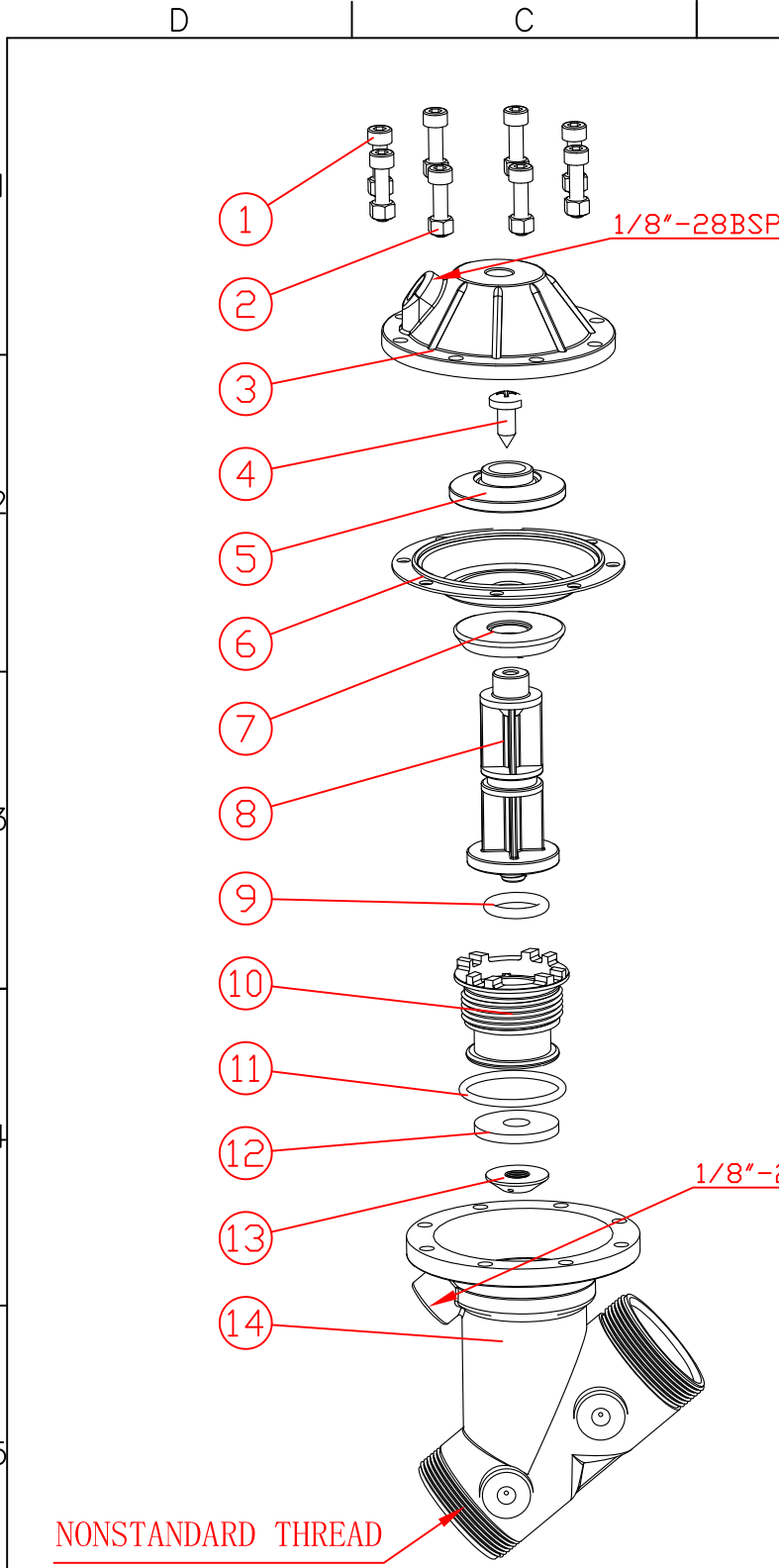


NOTE: * REPRESENT DEFAULT MATERIAL.

NONSTANDARD THREAD

				Y521				JK WATER TREATMENT				
								REVISION		QUANTITY	WEIGHT	SCALE
								03		/	/	/
				REINFORCED PROPENE POLYMER				UNREMARKED TOLERANCES	/	SHEET 1 OF 1		
									MATERIAL GRADE	/	5211005	
								/				
								/				
								/				
NUMBERS	DESCRIPTION OF CHANGES	SIGNATURE	DATE	D	C	B	A	6	6	6	6	
DRAWN BY/DATE												
CHECKED BY/DATE												
APPROVED BY/DATE												
STANDARIZED BY/DATE												

技术部
 2016.09.09
 杨亚洲



NO.	PART NO.	DESCRIPTION	QTY.	MATERIAL
14	5214172	BODY	1	NORYL
13	5214174	DISC PLATE NUT	1	PA6+GF
12	5214104	DISC	1	EPDM
11	5214179	O-RING	1	EPDM *
	5214180			NBR
	5214181			FKM
10	5214107	SHAFT GUIDE	1	NORYL
9	5214182	O-RING	1	EPDM *
	5214183			NBR
	5214184			FKM
8	5214118	SHAFT	1	NORYL
7	5214111	LWR DIAPH. PLATE	1	PA6+GF
6	5214110	DIAPHRAGM	1	NBR
5	5214112	UPR DIAPH. PLATE	1	PA6+GF
4	5214185	TAPPING SCREW	1	SS304
3	5214177	CAP	1	NORYL
2	5214187	NUT	8	H62
1	5214186	BOLT	8	SS304

NOTE: * REPRESENT DEFAULT MATERIAL.

NONSTANDARD THREAD

				JK WATER TREATMENT					
				Y521					
				REVISION		QUANTITY	WEIGHT	SCALE	
				03		/	/	/	
				SHEET 1 OF 1					
				UNREMARKED TOLERANCES		/		5211006	
				MATERIAL GRADE		/		5211006	
				NORYL					
DRAWN BY/DATE		SIGNATURE		DATE		DATE		DATE	
CHECKED BY/DATE		SIGNATURE		DATE		DATE		DATE	
APPROVED BY/DATE		SIGNATURE		DATE		DATE		DATE	
STANDARDIZED BY/DATE		SIGNATURE		DATE		DATE		DATE	

技术部
2016.09.09
杨亚洲