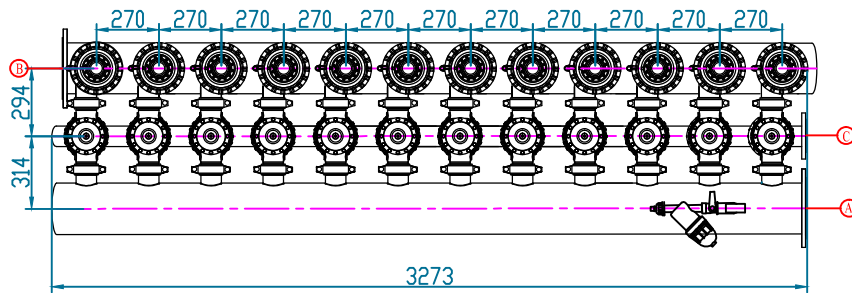
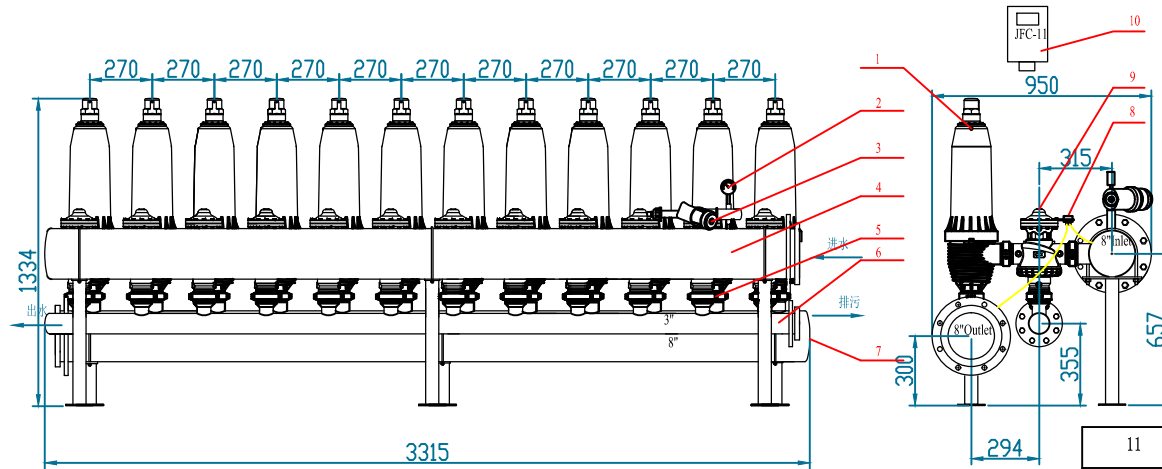


Joint form			
	DESCRIPTION	STANDARD	MATERIAL
A	8"Flange	DIN 2501 PN10 / ANSI 150#	Reinforced Polyamide
B	8"Flange	DIN 2501 PN10 / ANSI 150#	Reinforced Polyamide
C	3"Flange	DIN 2501 PN10 / ANSI 150#	Reinforced Polyamide



11							
10		Controller	1				
9		Two-position three-way valve	12	Reinforced Polyamide			
8		DP switch	1	SS304			
7		Outlet pipe	1	HDPE 8"			
6		Drain pipe	1	HDPE 3"			
5		Coupling	48	Reinforced Polyamide			
4		Inlet pipe	1	HDPE 8"			
3		Water source filter	1	Reinforced Polyamide			
2		Pressure gauge	2	SS304			
1		Discfilter unit	12	Reinforced Polyamide	9.4kg		
ITEM	PART NO.	DESCRIPTION	Q' TY	MATERIAL	EATH WT.	TOL. WT.	REMARKS

## JYP3-12-8 DISCFILTER

### Explanation:

1. Need manual valve on inlet and outlet°
2. Ensure fluent drain.
3. Power supply: 220VAC 50Hz
4. Gross weight: 240KG      Operation weight: 510KG
5. The installation base of the equipment is a 20cm height of cement platform which need expansion bolt to fix the equipment on after installation.
6. There are three types of piping. Short name of PE piping is P, and S instead of stainless stell piping, C is carbon steel piping.



BEIJING KANGJIE ZHICHEN  
WATER TREATMENT CO., LTD.

RESPONS: Eric

REVISION: 03

UNITS: mm

DATE: 12/11/2015