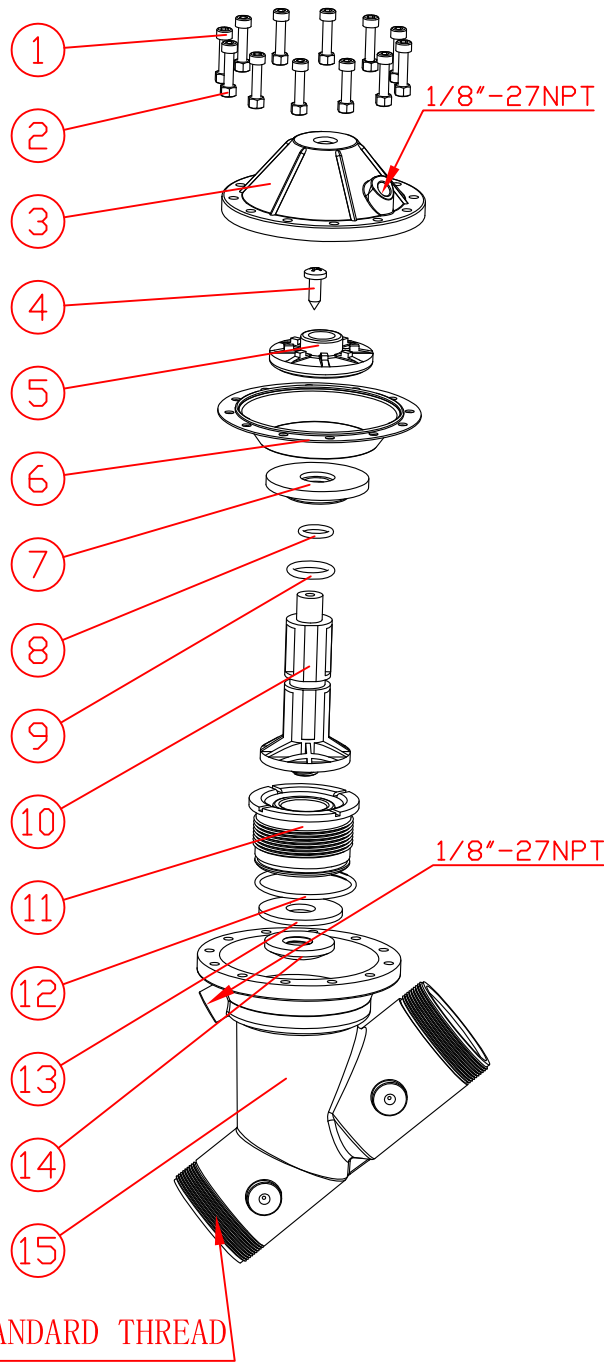


D C

B A

1
2
3
4
5
6



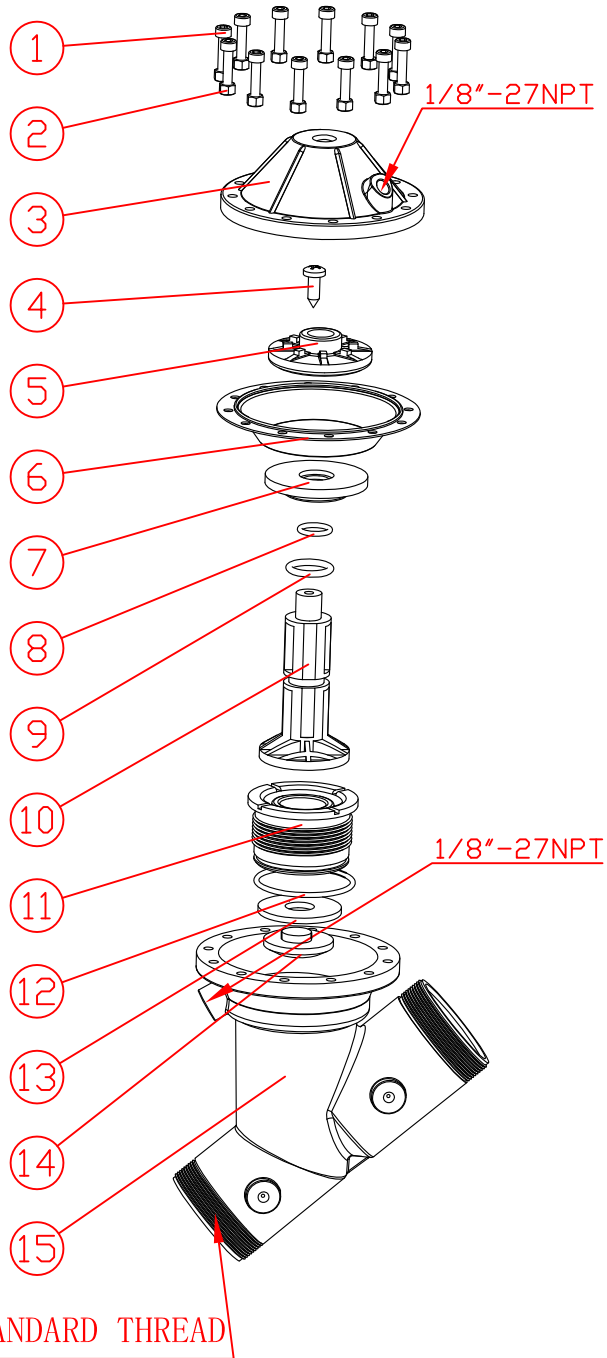
15	5244295	BODY	1	PA6+GF
14	5244274	DISC PLATE NUT	1	PA6+GF
13	5244204	DISC	1	EPDM
12	5244282	O-RING	1	EPDM *
	5244283			NBR
	5244284			FKM
11	5244207	SHAFT GUIDE	1	ABS
10	5244205	SHAFT	1	PA6+GF
9	5244285	O-RING	1	EPDM *
	5244286			NBR
	5244287			FKM
8	5244279	O-RING	1	EPDM *
	5244280			NBR
	5244281			FKM
7	5244212	LWR DIAPH. PLATE	1	PA6+GF
6	5244210	DIAPHRAGM	1	NBR
5	5244213	UPR DIAPH. PLATE	1	PA6+GF
4	5244050	TAPPING SCREW	1	SS304
3	5244298	CAP	1	PA6+GF
2	5214187	NUT	12	H62
1	5244289	BOLT	12	SS304
NO.	PART NO.	DESCRIPTION	QTY.	MATERIAL

NOTE: * REPRESENT DEFAULT MATERIAL.

NONSTANDARD THREAD

				Y524				JKmatic							
								REVISION		QUANTITY	WEIGHT	SCALE			
								04		/	/	/			
				GLASS FIBRE REINFORCED NYLON				UNREMARKED TOLERANCES	/	SHEET 1 OF 1					
								MATERIAL GRADE	/	5241001					
								DRAWN BY/DATE	SIGNATURE	DATE					
								CHECKED BY/DATE	SIGNATURE	DATE					
								APPROVED BY/DATE	SIGNATURE	DATE					
				STANDARIZED BY/DATE	SIGNATURE	DATE									

D C B A



B		A		
15	5244293	BODY	1	PP+GF
14	5244300	DISC PLATE NUT	1	PVC
13	5244301	DISC	1	EPDM
12	5244282	O-RING	1	EPDM *
	5244283			NBR
	5244284			FKM
11	5244207	SHAFT GUIDE	1	ABS
10	5244299	SHAFT	1	PVC
9	5244285	O-RING	1	EPDM *
	5244286			NBR
	5244287			FKM
8	5244279	O-RING	1	EPDM *
	5244280			NBR
	5244281			FKM
7	5244212	LWR DIAPH. PLATE	1	PA6+GF
6	5244210	DIAPHRAGM	1	NBR
5	5244213	UPR DIAPH. PLATE	1	PA6+GF
4	5244050	TAPPING SCREW	1	SS304
3	5244296	CAP	1	PP+GF
2	5214187	NUT	12	H62
1	5244289	BOLT	12	SS304
NO.	PART NO.	DESCRIPTION	QTY.	MATERIAL

				Y524				JKmatic				
								REVISION		QUANTITY	WEIGHT	SCALE
								04		/	/	/
				REINFORCED PROPENE POLYMER				UNREMARKED TOLERANCES	/	SHEET 1 OF 1		
									MATERIAL GRADE	/	5241002	
								/				
								/				
NUMBERS	DESCRIPTION OF CHANGES	SIGNATURE	DATE					DRAWN BY/DATE	CHECKED BY/DATE	APPROVED BY/DATE	STANDARIZED BY/DATE	D

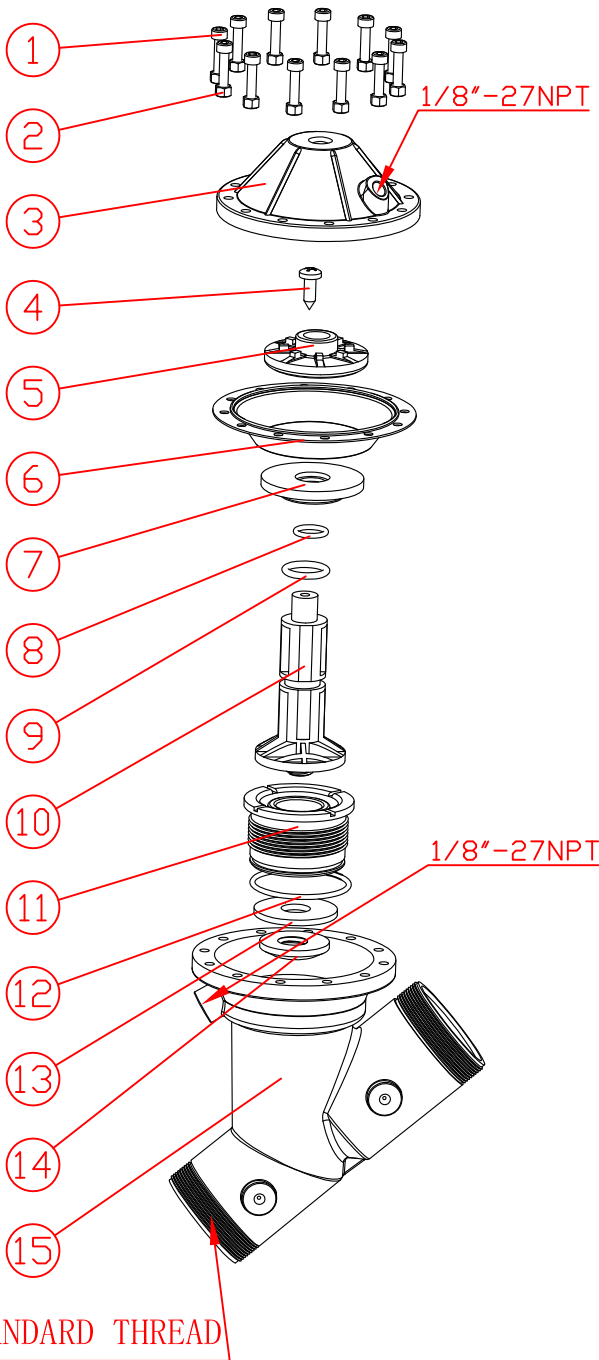
D

C

B

A

1
2
3
4
5
6



15	5244294	BODY	1	NORYL
14	5244274	DISC PLATE NUT	1	PA6+GF
13	5244204	DISC	1	EPDM
12	5244282	O-RING	1	EPDM *
	5244283			NBR
	5244284			FKM
11	5244207	SHAFT GUIDE	1	ABS
10	5244205	SHAFT	1	PA6+GF
9	5244285	O-RING	1	EPDM *
	5244286			NBR
	5244287			FKM
8	5244279	O-RING	1	EPDM *
	5244280			NBR
	5244281			FKM
7	5244212	LWR DIAPH. PLATE	1	PA6+GF
6	5244210	DIAPHRAGM	1	NBR
5	5244213	UPR DIAPH. PLATE	1	PA6+GF
4	5244050	TAPPING SCREW	1	SS304
3	5244297	CAP	1	NORYL
2	5214187	NUT	12	H62
1	5244289	BOLT	12	SS304
NO.	PART NO.	DESCRIPTION	QTY.	MATERIAL

NONSTANDARD THREAD

1/8"-27NPT

NUMBERS	DESCRIPTION OF CHANGES	SIGNATURE	DATE
DRAWN BY/DATE			
CHECKED BY/DATE			
APPROVED BY/DATE			
STANDARIZED BY/DATE			

Y524

NORYL

JKmatic			
REVISION	QUANTITY	WEIGHT	SCALE
04	/	/	/
UNREMARKED TOLERANCES	/	SHEET 1 OF 1	
MATERIAL GRADE	/	5241003	

D

C

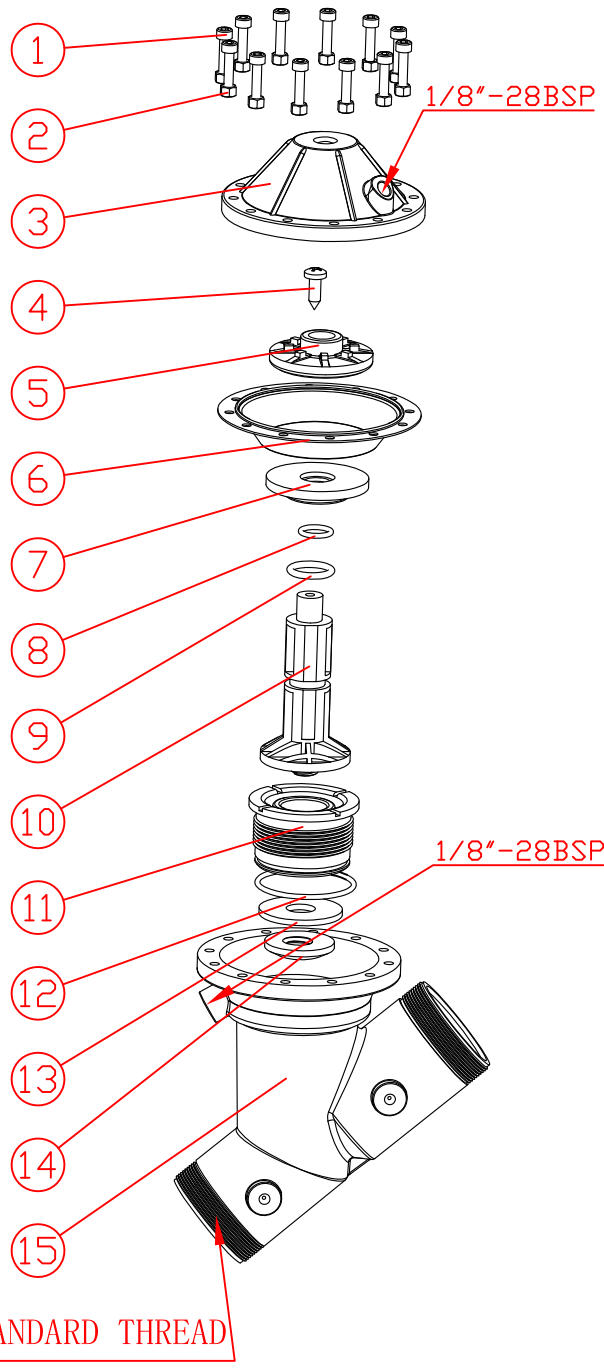
B

A

D C

B A

1
2
3
4
5
6



15	5244273	BODY	1	PA6+GF
14	5244274	DISC PLATE NUT	1	PA6+GF
13	5244204	DISC	1	EPDM
12	5244282	O-RING	1	EPDM *
	5244283			NBR
	5244284			FKM
11	5244207	SHAFT GUIDE	1	ABS
10	5244205	SHAFT	1	PA6+GF
9	5244285	O-RING	1	EPDM *
	5244286			NBR
	5244287			FKM
8	5244279	O-RING	1	EPDM *
	5244280			NBR
	5244281			FKM
7	5244212	LWR DIAPH. PLATE	1	PA6+GF
6	5244210	DIAPHRAGM	1	NBR
5	5244213	UPR DIAPH. PLATE	1	PA6+GF
4	5244050	TAPPING SCREW	1	SS304
3	5244278	CAP	1	PA6+GF
2	5214187	NUT	12	H62
1	5244289	BOLT	12	SS304
NO.	PART NO.	DESCRIPTION	QTY.	MATERIAL

NONSTANDARD THREAD

NUMBERS	DESCRIPTION OF CHANGES	SIGNATURE	DATE

Y524

GLASS FIBRE
REINFORCED NYLON

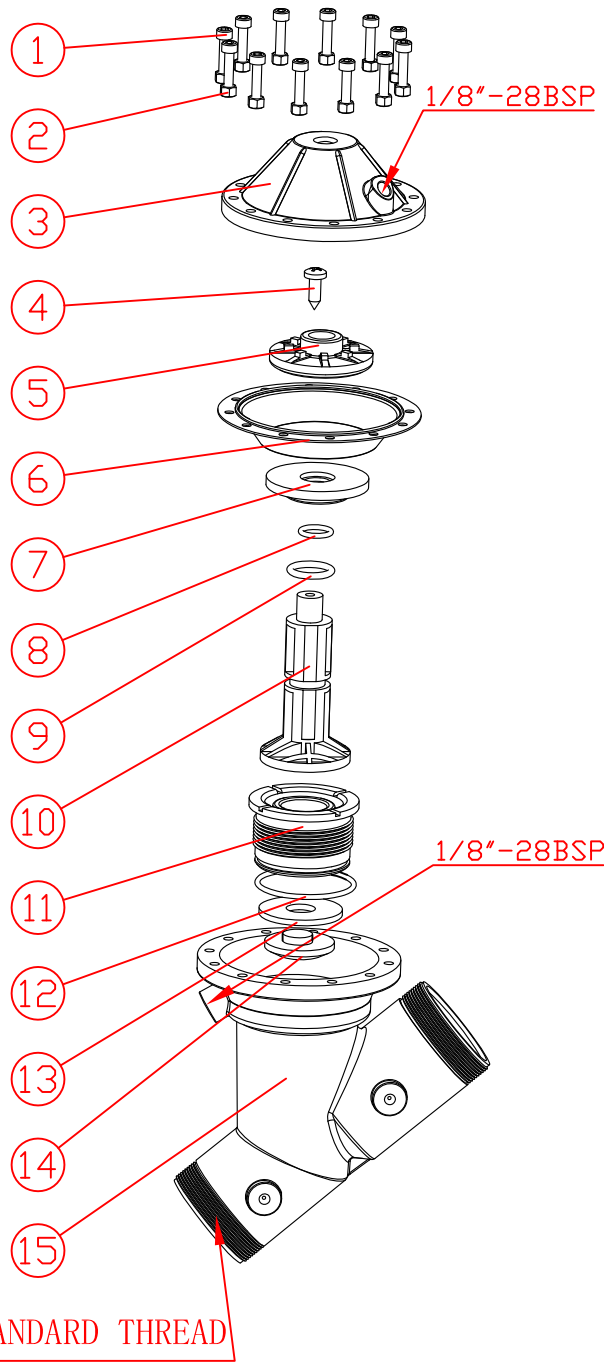
JKmatic			
REVISION	QUANTITY	WEIGHT	SCALE
04	/	/	/
UNREMARKED TOLERANCES	/	SHEET 1 OF 1	
MATERIAL GRADE	/	5241004	

D C B A

D C

B A

1
2
3
4
5
6

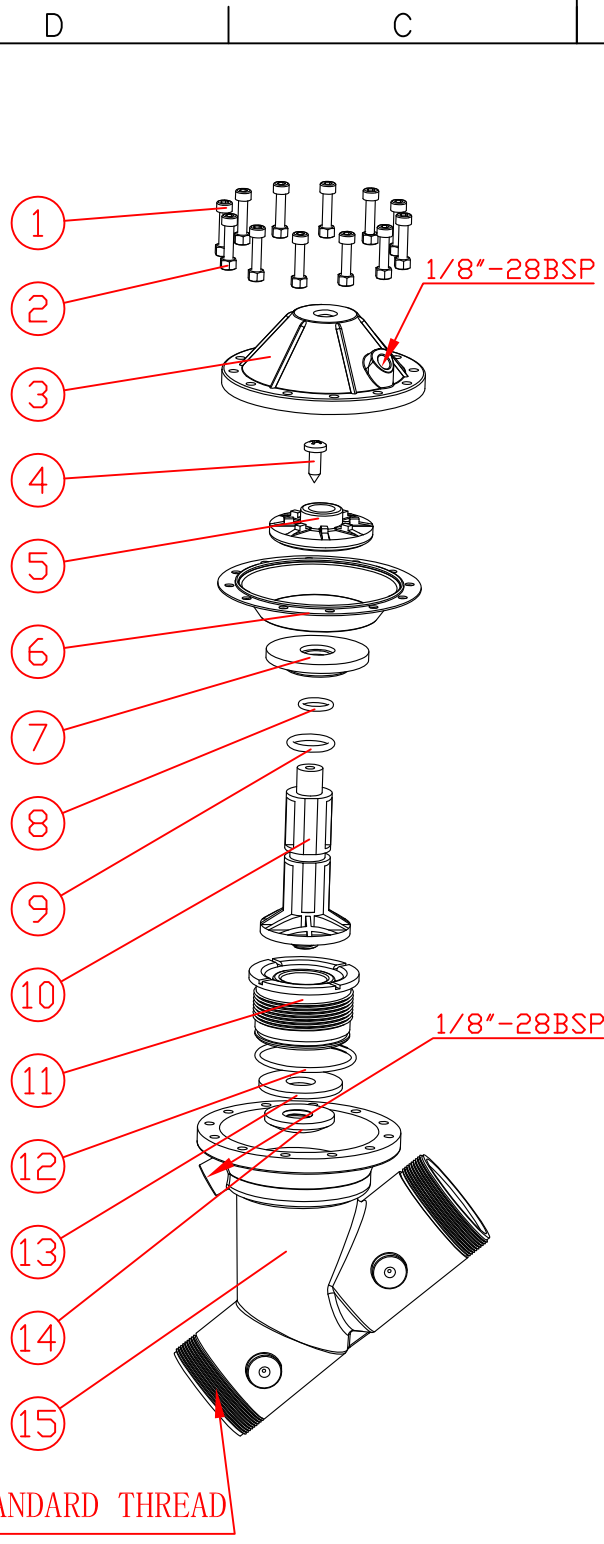


15	5244202	BODY	1	PP+GF
14	5244300	DISC PLATE NUT	1	PVC
13	5244301	DISC	1	EPDM
12	5244282	O-RING	1	EPDM *
	5244283			NBR
	5244284			FKM
11	5244207	SHAFT GUIDE	1	ABS
10	5244299	SHAFT	1	PVC
9	5244285	O-RING	1	EPDM *
	5244286			NBR
	5244287			FKM
8	5244279	O-RING	1	EPDM *
	5244280			NBR
	5244281			FKM
7	5244212	LWR DIAPH. PLATE	1	PA6+GF
6	5244210	DIAPHRAGM	1	NBR
5	5244213	UPR DIAPH. PLATE	1	PA6+GF
4	5244050	TAPPING SCREW	1	SS304
3	5244215	CAP	1	PP+GF
2	5214187	NUT	12	H62
1	5244289	BOLT	12	SS304
NO.	PART NO.	DESCRIPTION	QTY.	MATERIAL

NONSTANDARD THREAD

				Y524				JKmatic				
								REVISION		QUANTITY	WEIGHT	SCALE
								04		/	/	/
				REINFORCED PROPENE POLYMER				UNREMARKED TOLERANCES		SHEET 1 OF 1		
										MATERIAL GRADE		5241005
NUMBERS	DESCRIPTION OF CHANGES	SIGNATURE	DATE									
DRAWN BY/DATE												
CHECKED BY/DATE												
APPROVED BY/DATE												
STANDARIZED BY/DATE												

D C B A



NO.	PART NO.	DESCRIPTION	QTY.	MATERIAL
15	5244272	BODY	1	NORYL
14	5244274	DISC PLATE NUT	1	PA6+GF
13	5244204	DISC	1	EPDM
12	5244282	O-RING	1	EPDM *
	5244283			NBR
	5244284			FKM
11	5244207	SHAFT GUIDE	1	ABS
10	5244205	SHAFT	1	PA6+GF
9	5244285	O-RING	1	EPDM *
	5244286			NBR
	5244287			FKM
8	5244279	O-RING	1	EPDM *
	5244280			NBR
	5244281			FKM
7	5244212	LWR DIAPH. PLATE	1	PA6+GF
6	5244210	DIAPHRAGM	1	NBR
5	5244213	UPR DIAPH. PLATE	1	PA6+GF
4	5244050	TAPPING SCREW	1	SS304
3	5244277	CAP	1	NORYL
2	5214187	NUT	12	H62
1	5244289	BOLT	12	SS304

NUMBERS	DESCRIPTION OF CHANGES	SIGNATURE	DATE

Y524

NORYL

JKmatic			
REVISION	QUANTITY	WEIGHT	SCALE
04	/	/	/
UNREMARKED TOLERANCES	/	SHEET 1 OF 1	
MATERIAL GRADE	/	5241006	

NONSTANDARD THREAD