

D

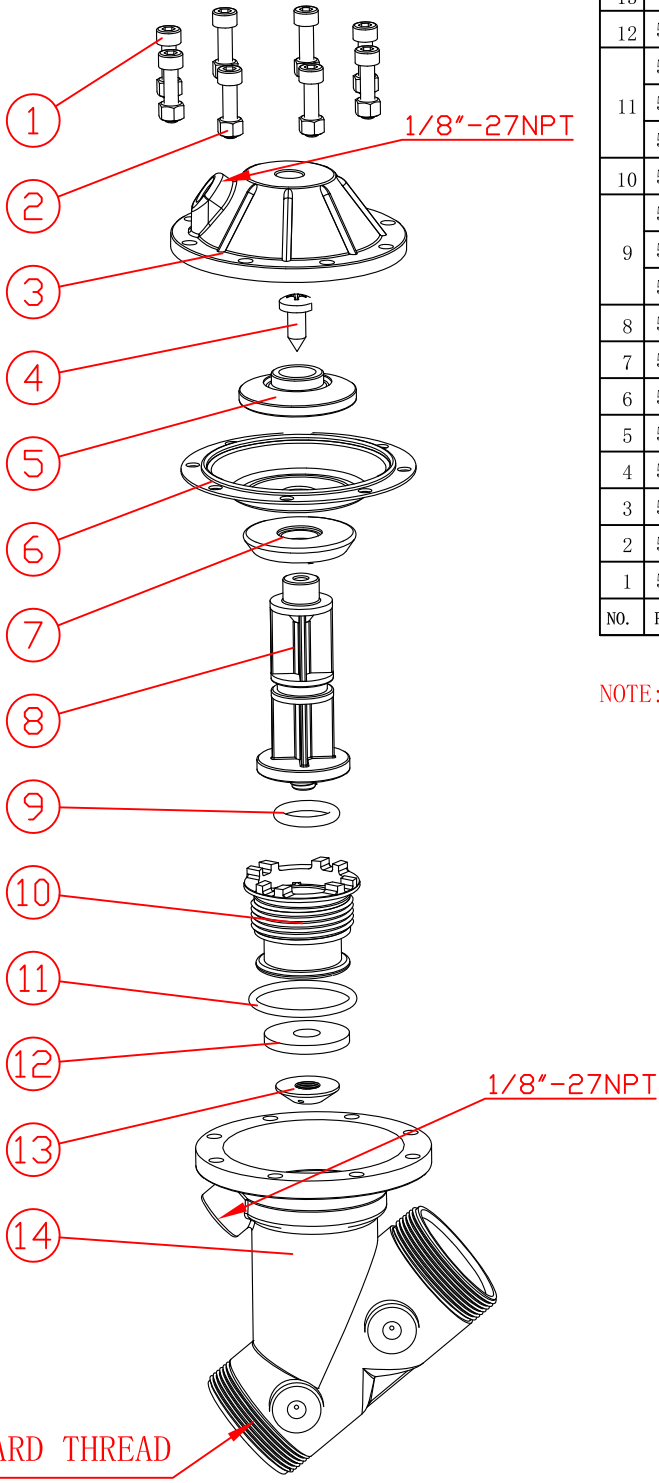
C

B

A

1
2
3
4
5
6

1
2
3
4
5
6



14	5214193	BODY	1	PA6+GF
13	5214174	DISC PLATE NUT	1	PA6+GF
12	5214104	DISC	1	EPDM
11	5214179	O-RING	1	EPDM *
	5214180			NBR
	5214181			FKM
10	5214107	SHAFT GUIDE	1	NORYL
9	5214182	O-RING	1	EPDM *
	5214183			NBR
	5214184			FKM
8	5214118	SHAFT	1	PA6+GF
7	5214111	LWR DIAPH. PLATE	1	PA6+GF
6	5214110	DIAPHRAGM	1	NBR
5	5214112	UPR DIAPH. PLATE	1	PA6+GF
4	5214610	TAPPING SCREW	1	SS304
3	5214196	CAP	1	PA6+GF
2	5214187	NUT	8	H62
1	5214186	BOLT	8	SS304
NO.	PART NO.	DESCRIPTION	QTY.	MATERIAL

NOTE: * REPRESENT DEFAULT MATERIAL.

NONSTANDARD THREAD

				JKmatic			
				Y521			
				REVISION	QUANTITY	WEIGHT	SCALE
				04	/	/	/
				UNREMARKED TOLERANCES	SHEET 1 OF 1		
				MATERIAL GRADE	5211001		
				GLASS FIBRE REINFORCED NYLON			
NUMBERS	DESCRIPTION OF CHANGES	SIGNATURE	DATE				
DRAWN BY/DATE							
CHECKED BY/DATE							
APPROVED BY/DATE							
STANDARIZED BY/DATE							

D

C

B

A

D

C

B

A

1

2

3

4

5

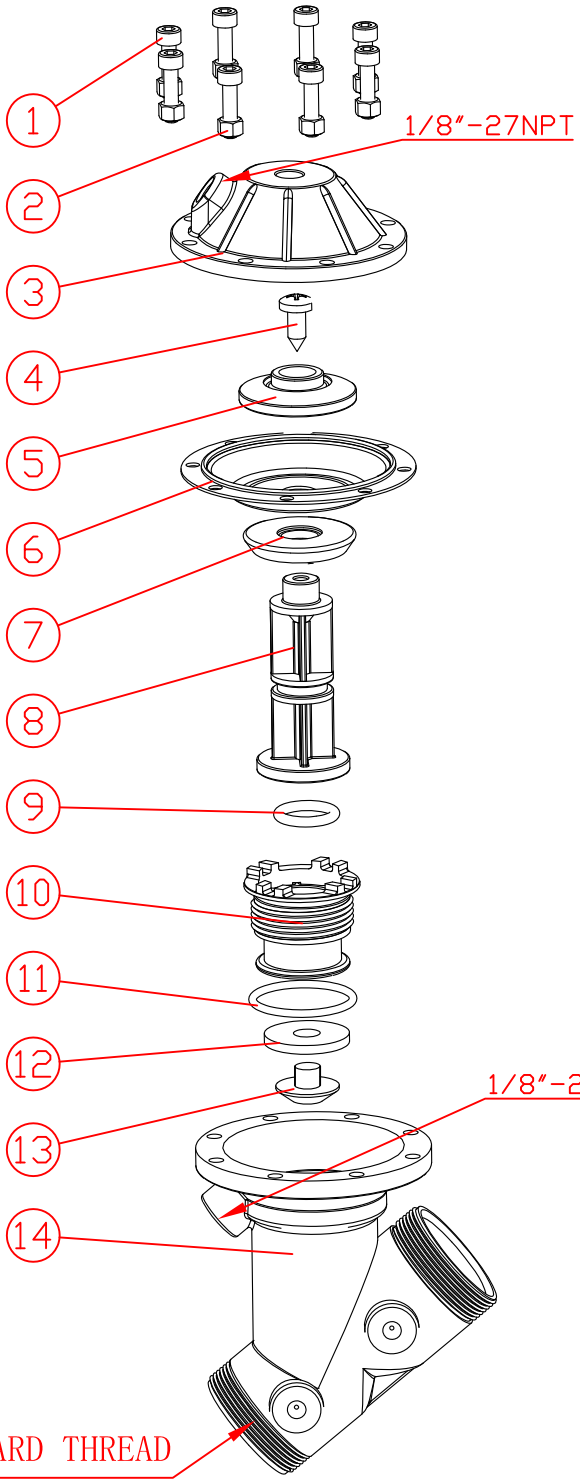
1

2

3

4

5



14	5214191	BODY	1	PP+GF
13	5214198	DISC PLATE NUT	1	PVC
12	5214199	DISC	1	EPDM
11	5214179	O-RING	1	EPDM *
	5214180			NBR
	5214181			FKM
10	5214107	SHAFT GUIDE	1	NORYL
9	5214182	O-RING	1	EPDM *
	5214183			NBR
	5214184			FKM
8	5214197	SHAFT	1	PVC
7	5214111	LWR DIAPH. PLATE	1	PA6+GF
6	5214110	DIAPHRAGM	1	NBR
5	5214112	UPR DIAPH. PLATE	1	PA6+GF
4	5214610	TAPPING SCREW	1	SS304
3	5214194	CAP	1	PP+GF
2	5214187	NUT	8	H62
1	5214186	BOLT	8	SS304
NO.	PART NO.	DESCRIPTION	QTY.	MATERIAL

NOTE: * REPRESENT DEFAULT MATERIAL.

NONSTANDARD THREAD

NUMBERS	DESCRIPTION OF CHANGES	SIGNATURE	DATE

Y521

REINFORCED PROPENE POLYMER

JKmatic			
REVISION	QUANTITY	WEIGHT	SCALE
04	/	/	/
UNREMARKED TOLERANCES	/	SHEET 1 OF 1	
MATERIAL GRADE	/	5211002	

D

C

B

A

6

6

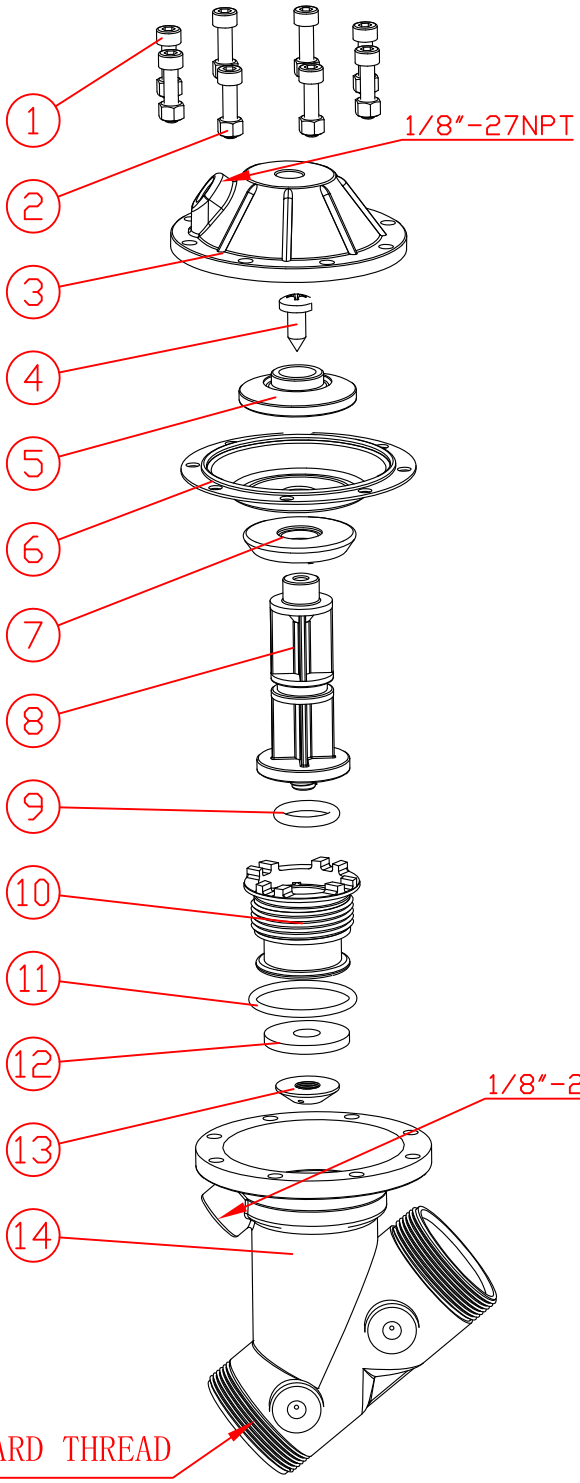
D

C

B

A

1
2
3
4
5
6



14	5214192	BODY	1	NORYL
13	5214174	DISC PLATE NUT	1	PA6+GF
12	5214104	DISC	1	EPDM
11	5214179	O-RING	1	EPDM *
	5214180			NBR
	5214181			FKM
10	5214107	SHAFT GUIDE	1	NORYL
9	5214182	O-RING	1	EPDM *
	5214183			NBR
	5214184			FKM
8	5214118	SHAFT	1	PA6+GF
7	5214111	LWR DIAPH. PLATE	1	PA6+GF
6	5214110	DIAPHRAGM	1	NBR
5	5214112	UPR DIAPH. PLATE	1	PA6+GF
4	5214610	TAPPING SCREW	1	SS304
3	5214195	CAP	1	NORYL
2	5214187	NUT	8	H62
1	5214186	BOLT	8	SS304
NO.	PART NO.	DESCRIPTION	QTY.	MATERIAL

NOTE: * REPRESENT DEFAULT MATERIAL.

NONSTANDARD THREAD

NUMBERS	DESCRIPTION OF CHANGES	SIGNATURE	DATE

Y521

NORYL

JKmatic

REVISION	QUANTITY	WEIGHT	SCALE
04	/	/	/

SHEET 1 OF 1

5211003

D

C

B

A

D

C

B

A

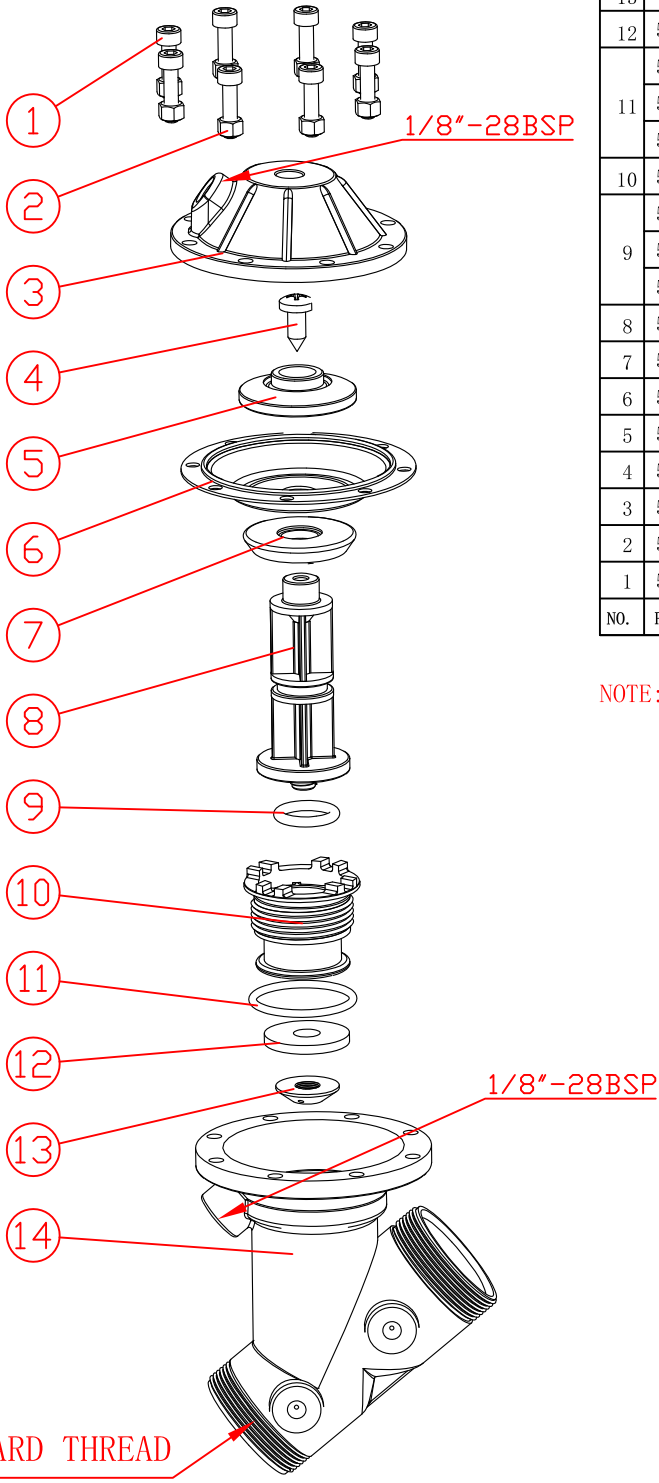
1

2

3

4

5



14	5214173	BODY	1	PA6+GF
13	5214174	DISC PLATE NUT	1	PA6+GF
12	5214104	DISC	1	EPDM
11	5214179	O-RING	1	EPDM *
	5214180			NBR
	5214181			FKM
10	5214107	SHAFT GUIDE	1	NORYL
9	5214182	O-RING	1	EPDM *
	5214183			NBR
	5214184			FKM
8	5214118	SHAFT	1	PA6+GF
7	5214111	LWR DIAPH. PLATE	1	PA6+GF
6	5214110	DIAPHRAGM	1	NBR
5	5214112	UPR DIAPH. PLATE	1	PA6+GF
4	5214610	TAPPING SCREW	1	SS304
3	5214178	CAP	1	PA6+GF
2	5214187	NUT	8	H62
1	5214186	BOLT	8	SS304
NO.	PART NO.	DESCRIPTION	QTY.	MATERIAL

NOTE: * REPRESENT DEFAULT MATERIAL.

NONSTANDARD THREAD

6

				JKmatic					
				Y521					
				REVISION		QUANTITY	WEIGHT	SCALE	
				04		/	/	/	
NUMBERS		DESCRIPTION OF CHANGES		SIGNATURE		DATE		GLASS FIBRE REINFORCED NYLON	
DRAWN BY/DATE									
CHECKED BY/DATE									
APPROVED BY/DATE									
STANDARIZED BY/DATE									
				UNREMARKED TOLERANCES		/		SHEET 1 OF 1 5211004	
				MATERIAL GRADE		/			

D

C

B

A

D

C

B

A

1

2

3

4

5

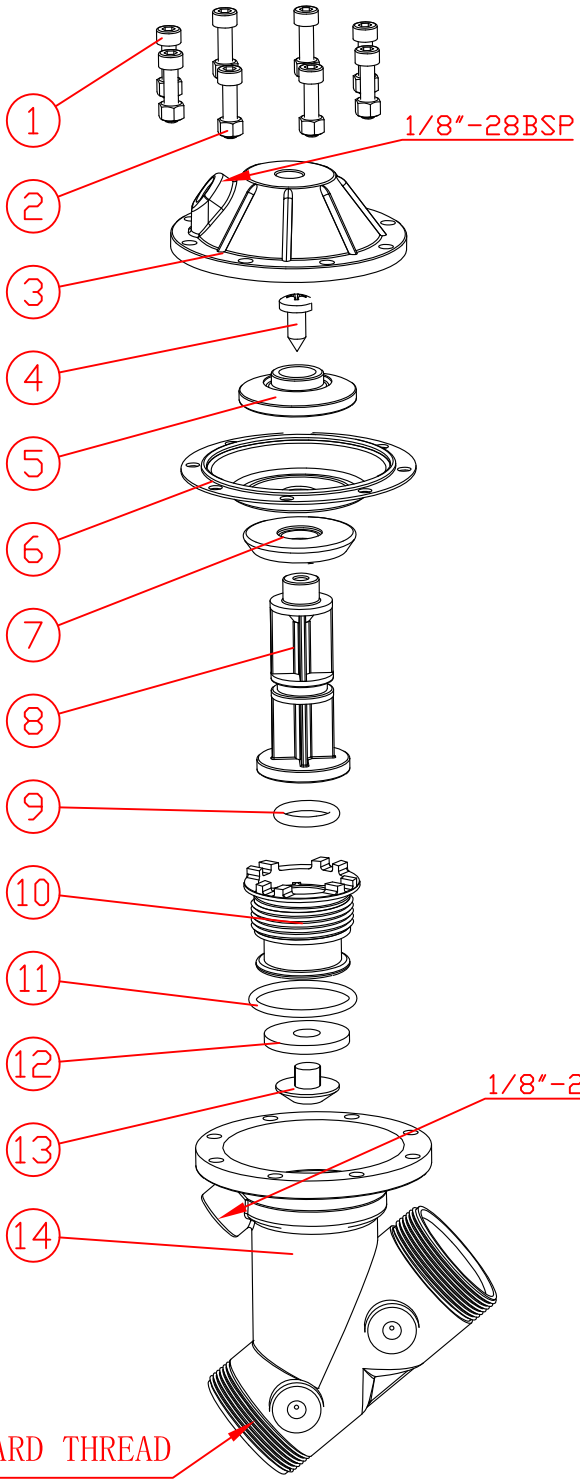
1

2

3

4

5



14	5214102	BODY	1	PP+GF
13	5214198	DISC PLATE NUT	1	PVC
12	5214199	DISC	1	EPDM
11	5214179	O-RING	1	EPDM *
	5214180			NBR
	5214181			FKM
10	5214107	SHAFT GUIDE	1	NORYL
9	5214182	O-RING	1	EPDM *
	5214183			NBR
	5214184			FKM
8	5214197	SHAFT	1	PVC
7	5214111	LWR DIAPH. PLATE	1	PA6+GF
6	5214110	DIAPHRAGM	1	NBR
5	5214112	UPR DIAPH. PLATE	1	PA6+GF
4	5214610	TAPPING SCREW	1	SS304
3	5214119	CAP	1	PP+GF
2	5214187	NUT	8	H62
1	5214186	BOLT	8	SS304
NO.	PART NO.	DESCRIPTION	QTY.	MATERIAL

NOTE: * REPRESENT DEFAULT MATERIAL.

NONSTANDARD THREAD

NUMBERS	DESCRIPTION OF CHANGES	SIGNATURE	DATE

Y521

REINFORCED
PROPENE POLYMER

JKmatic			
REVISION	QUANTITY	WEIGHT	SCALE
04	/	/	/
UNREMARKED TOLERANCES	/	SHEET 1 OF 1	
MATERIAL GRADE	/	5211005	

D

C

B

A

6

6

D

C

B

A

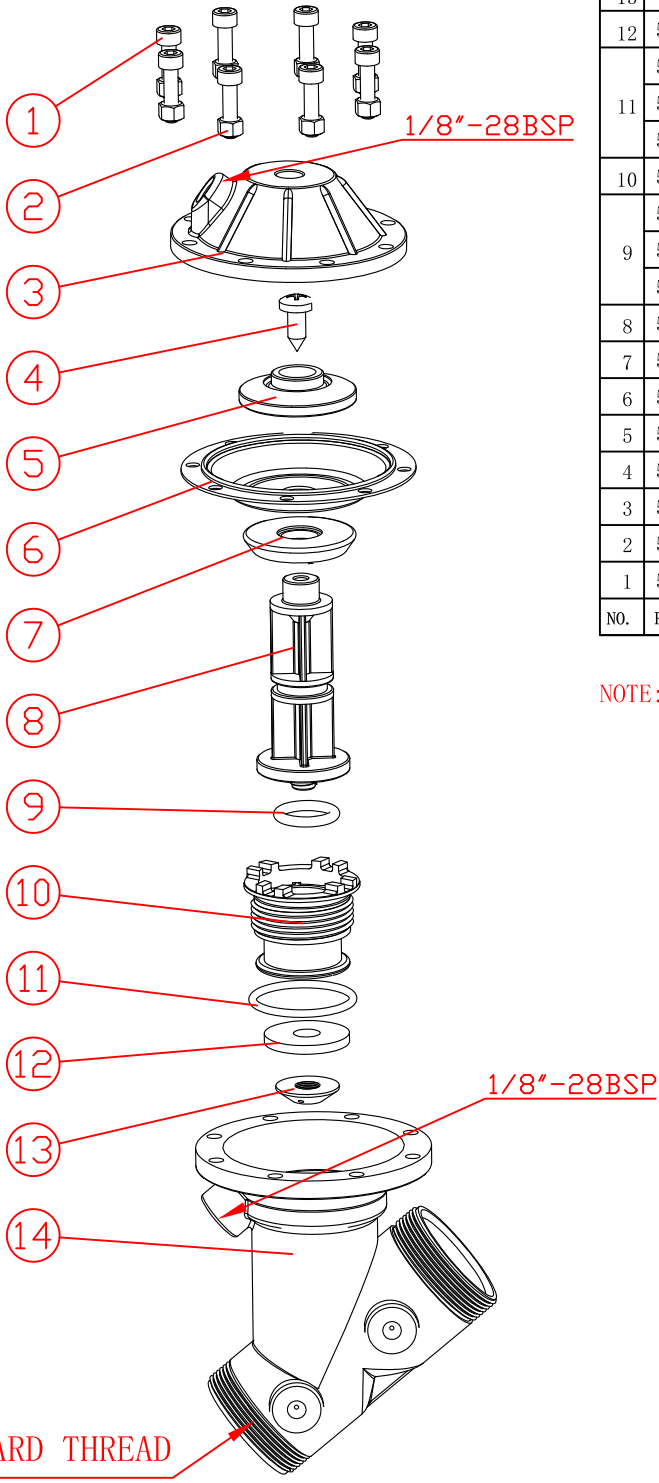
1

2

3

4

5



14	5214172	BODY	1	NORYL
13	5214174	DISC PLATE NUT	1	PA6+GF
12	5214104	DISC	1	EPDM
11	5214179	O-RING	1	EPDM *
	5214180			NBR
	5214181			FKM
10	5214107	SHAFT GUIDE	1	NORYL
9	5214182	O-RING	1	EPDM *
	5214183			NBR
	5214184			FKM
8	5214118	SHAFT	1	PA6+GF
7	5214111	LWR DIAPH. PLATE	1	PA6+GF
6	5214110	DIAPHRAGM	1	NBR
5	5214112	UPR DIAPH. PLATE	1	PA6+GF
4	5214610	TAPPING SCREW	1	SS304
3	5214177	CAP	1	NORYL
2	5214187	NUT	8	H62
1	5214186	BOLT	8	SS304
NO.	PART NO.	DESCRIPTION	QTY.	MATERIAL

NOTE: * REPRESENT DEFAULT MATERIAL.

NONSTANDARD THREAD

6

				JKmatic			
				Y521			
				REVISION	QUANTITY	WEIGHT	SCALE
				04	/	/	/
				UNREMARKED TOLERANCES	SHEET 1 OF 1		
				MATERIAL GRADE	5211006		
NUMBERS	DESCRIPTION OF CHANGES	SIGNATURE	DATE				
DRAWN BY/DATE							
CHECKED BY/DATE							
APPROVED BY/DATE							
STANDARIZED BY/DATE							

D

C

B

A