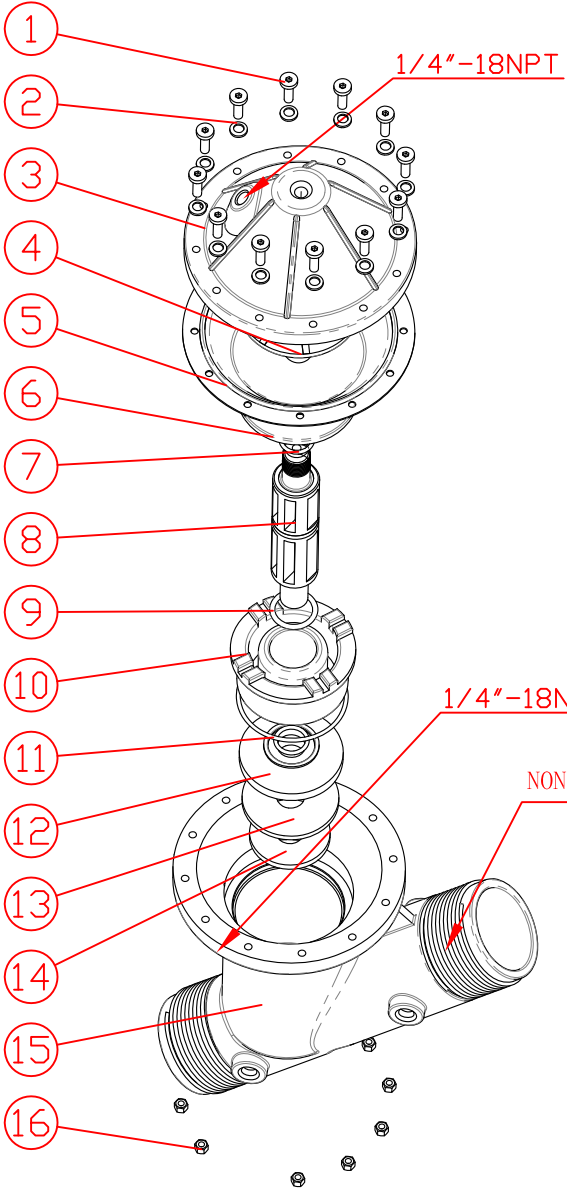


D C

B A

16	5214187	NUT	12	H62
15	5264396	BODY	1	PA6+GF
14	5264374	DISC PLATE NUT	1	PA6+GF
13	5264304	DISC	1	EPDM
12	5264376	DISC HOLDER	1	PA6+GF
11	5264384	O-RING	1	EPDM *
	5264385			NBR
	5264386			FKM
10	5264308	SHAFT GUIDE	1	ABS
9	5264381	O-RING	1	EPDM *
	5264382			NBR
	5264383			FKM
8	5264306	SHAFT	1	ABS
7	5264387	O-RING	2	EPDM *
	5264388			NBR
	5264389			FKM
6	5264322	LWR DIAPH. PLATE	1	PA6+GF
5	5264310	DIAPHRAGM	1	NBR
4	5264313	UPR DIAPH. PLATE	1	PA6+GF
3	5264399	CAP	1	PA6+GF
2	5264550	GASKET	24	SS304
1	5264390	BOLT	12	SS304
NO.	PART NO.	DESCRIPTION	QTY.	MATERIAL



NOTE: * REPRESENT DEFAULT MATERIAL.

Y526

JKmatic

6	NUMBERS	DESCRIPTION OF CHANGES	SIGNATURE	DATE
	DRAWN BY/DATE			
	CHECKED BY/DATE			
	APPROVED BY/DATE			
	STANDARIZED BY/DATE			

GLASS FIBRE
REINFORCED NYLON

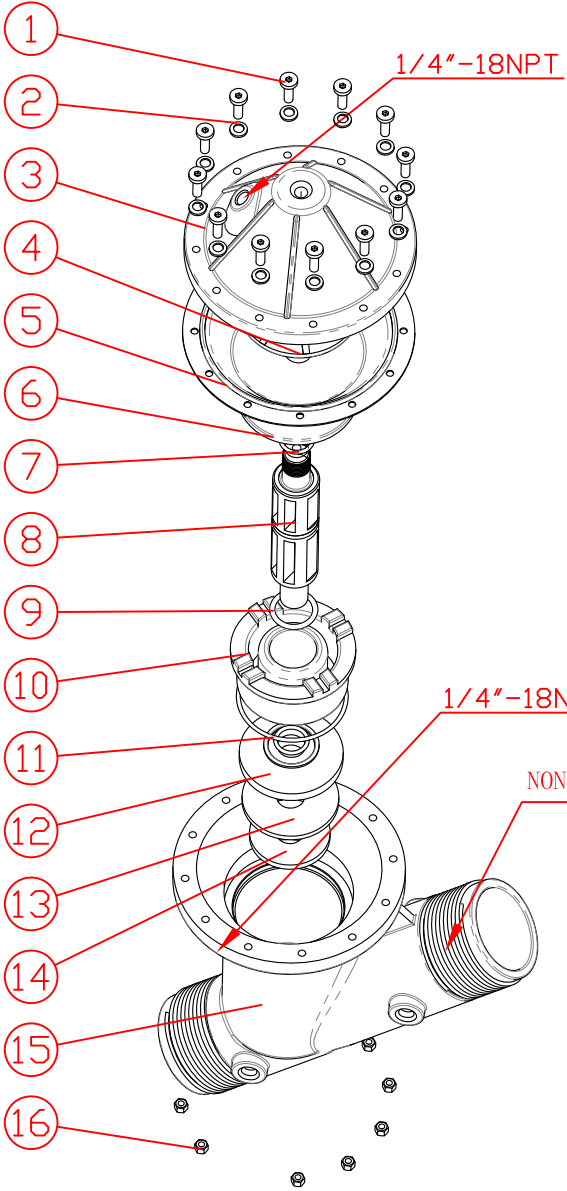
REVISION	QUANTITY	WEIGHT	SCALE
04	/	/	/
UNREMARKED TOLERANCES	/	SHEET 1 OF 1	
MATERIAL GRADE	/	5261001	

D C B A

D C

B A

16	5214187	NUT	12	H62
15	5264394	BODY	1	PP+GF
14	5264303	DISC PLATE NUT	1	NORYL
13	5264304	DISC	1	EPDM
12	5264321	DISC HOLDER	1	NORYL
11	5264384	O-RING	1	EPDM *
	5264385			NBR
	5264386			FKM
10	5264308	SHAFT GUIDE	1	ABS
9	5264381	O-RING	1	EPDM *
	5264382			NBR
	5264383			FKM
8	5264306	SHAFT	1	ABS
7	5264387	O-RING	2	EPDM *
	5264388			NBR
	5264389			FKM
6	5264322	LWR DIAPH. PLATE	1	PA6+GF
5	5264310	DIAPHRAGM	1	NBR
4	5264313	UPR DIAPH. PLATE	1	PA6+GF
3	5264397	CAP	1	PP+GF
2	5264550	GASKET	24	SS304
1	5264390	BOLT	12	SS304
NO.	PART NO.	DESCRIPTION	QTY.	MATERIAL



NOTE: * REPRESENT DEFAULT MATERIAL.

Y526

JKmatic

				Y526				JKmatic																							
								REVISION		QUANTITY	WEIGHT	SCALE																			
								04		/	/	/																			
REINFORCED PROPENE POLYMER				UNREMARKED TOLERANCES		/		SHEET 1 OF 1																							
MATERIAL GRADE				/		/		5261002																							
<table border="1" style="width: 100%;"> <tr> <th>NUMBERS</th> <th>DESCRIPTION OF CHANGES</th> <th>SIGNATURE</th> <th>DATE</th> </tr> <tr> <td> </td> <td> </td> <td> </td> <td> </td> </tr> <tr> <td> </td> <td> </td> <td> </td> <td> </td> </tr> <tr> <td> </td> <td> </td> <td> </td> <td> </td> </tr> <tr> <td> </td> <td> </td> <td> </td> <td> </td> </tr> </table>				NUMBERS	DESCRIPTION OF CHANGES	SIGNATURE	DATE																								
NUMBERS	DESCRIPTION OF CHANGES	SIGNATURE	DATE																												

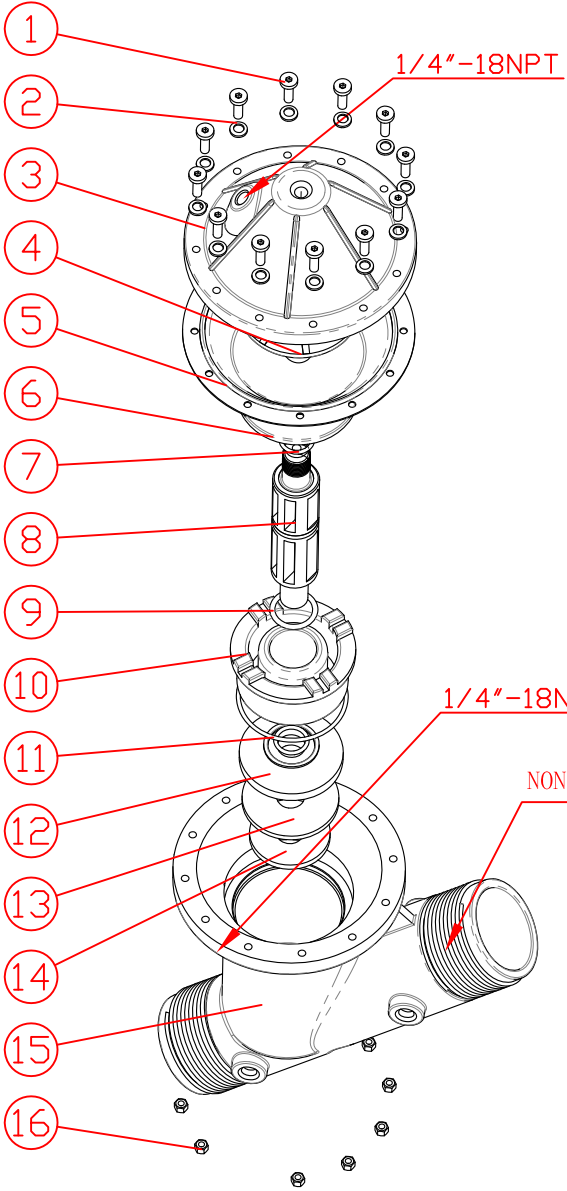
D C

B A

D C

B A

16	5214187	NUT	12	H62
15	5264395	BODY	1	NORYL
14	5264374	DISC PLATE NUT	1	PA6+GF
13	5264304	DISC	1	EPDM
12	5264376	DISC HOLDER	1	PA6+GF
11	5264384	O-RING	1	EPDM *
	5264385			NBR
	5264386			FKM
10	5264308	SHAFT GUIDE	1	ABS
9	5264381	O-RING	1	EPDM *
	5264382			NBR
	5264383			FKM
8	5264306	SHAFT	1	ABS
7	5264387	O-RING	2	EPDM *
	5264388			NBR
	5264389			FKM
6	5264322	LWR DIAPH. PLATE	1	PA6+GF
5	5264310	DIAPHRAGM	1	NBR
4	5264313	UPR DIAPH. PLATE	1	PA6+GF
3	5264398	CAP	1	NORYL
2	5264550	GASKET	24	SS304
1	5264390	BOLT	12	SS304
NO.	PART NO.	DESCRIPTION	QTY.	MATERIAL



NOTE: * REPRESENT DEFAULT MATERIAL.

1/4"-18NPT

NONSTANDARD THREAD

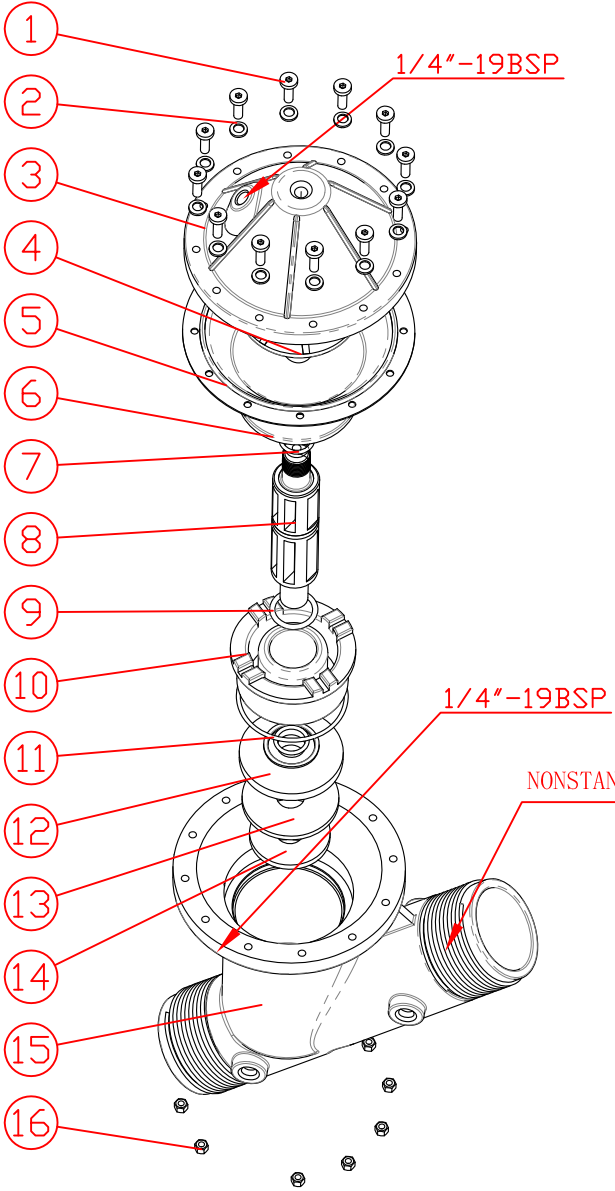
				JKmatic			
				Y526			
				REVISION	QUANTITY	WEIGHT	SCALE
				04	/	/	/
				UNREMARKED TOLERANCES	SHEET 1 OF 1		
				MATERIAL GRADE	5261003		
				NORYL			
NUMBERS	DESCRIPTION OF CHANGES	SIGNATURE	DATE				
DRAWN BY/DATE							
CHECKED BY/DATE							
APPROVED BY/DATE							
STANDARDIZED BY/DATE							

D C B A

D C

B A

16	5214187	NUT	12	H62
15	5264373	BODY	1	PA6+GF
14	5264374	DISC PLATE NUT	1	PA6+GF
13	5264304	DISC	1	EPDM
12	5264376	DISC HOLDER	1	PA6+GF
11	5264384	O-RING	1	EPDM *
	5264385			NBR
	5264386			FKM
10	5264308	SHAFT GUIDE	1	ABS
9	5264381	O-RING	1	EPDM *
	5264382			NBR
	5264383			FKM
8	5264306	SHAFT	1	ABS
7	5264387	O-RING	2	EPDM *
	5264388			NBR
	5264389			FKM
6	5264322	LWR DIAPH. PLATE	1	PA6+GF
5	5264310	DIAPHRAGM	1	NBR
4	5264313	UPR DIAPH. PLATE	1	PA6+GF
3	5264380	CAP	1	PA6+GF
2	5264550	GASKET	24	SS304
1	5264390	BOLT	12	SS304
NO.	PART NO.	DESCRIPTION	QTY.	MATERIAL



NOTE: * REPRESENT DEFAULT MATERIAL.

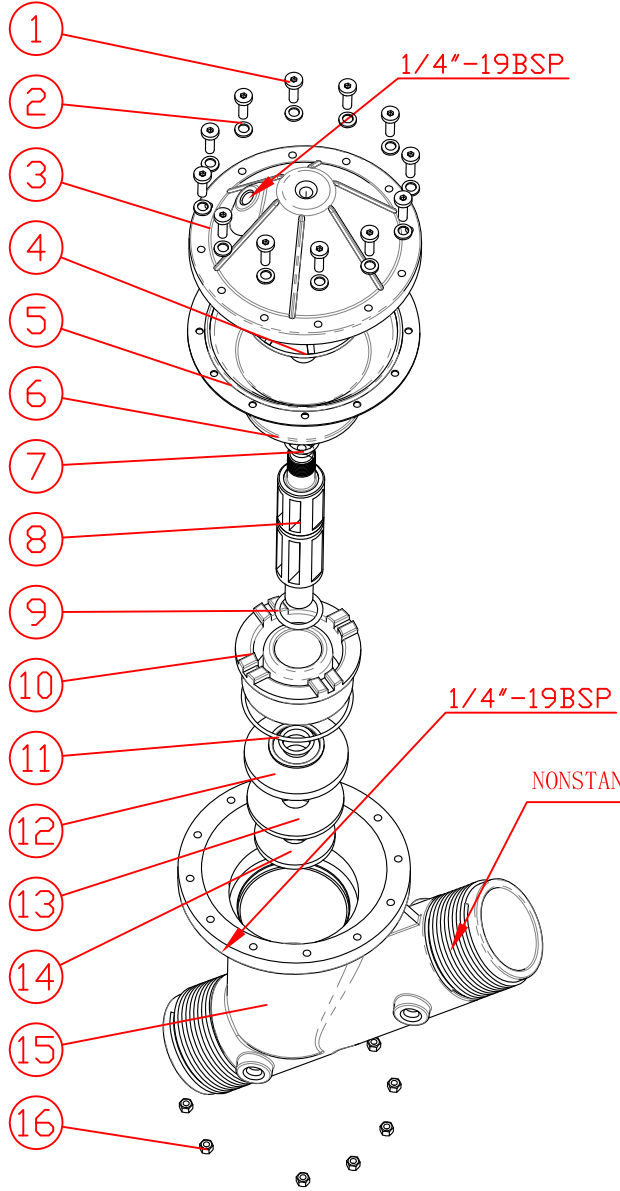
				JKmatic			
				Y526			
				REVISION	QUANTITY	WEIGHT	SCALE
				04	/	/	/
				UNREMARKED TOLERANCES	SHEET 1 OF 1		
				MATERIAL GRADE	5261004		
				GLASS FIBRE REINFORCED NYLON			
NUMBERS	DESCRIPTION OF CHANGES	SIGNATURE	DATE				
DRAWN BY/DATE							
CHECKED BY/DATE							
APPROVED BY/DATE							
STANDARIZED BY/DATE							

D C B A

D C

B A

16	5214187	NUT	12	H62
15	5264302	BODY	1	PP+GF
14	5264303	DISC PLATE NUT	1	NORYL
13	5264304	DISC	1	EPDM
12	5264321	DISC HOLDER	1	NORYL
11	5264384	O-RING	1	EPDM *
	5264385			NBR
	5264386			FKM
10	5264308	SHAFT GUIDE	1	ABS
9	5264381	O-RING	1	EPDM *
	5264382			NBR
	5264383			FKM
8	5264306	SHAFT	1	ABS
7	5264387	O-RING	2	EPDM *
	5264388			NBR
	5264389			FKM
6	5264322	LWR DIAPH. PLATE	1	PA6+GF
5	5264310	DIAPHRAGM	1	NBR
4	5264313	UPR DIAPH. PLATE	1	PA6+GF
3	5264315	CAP	1	PP+GF
2	5264550	GASKET	24	SS304
1	5264390	BOLT	12	SS304
NO.	PART NO.	DESCRIPTION	QTY.	MATERIAL



NOTE: * REPRESENT DEFAULT MATERIAL.

				JKmatic			
				Y526			
				REVISION	QUANTITY	WEIGHT	SCALE
				04	/	/	/
				UNREMARKED TOLERANCES	SHEET 1 OF 1		
				MATERIAL GRADE	5261005		
				REINFORCED PROPENE POLYMER			
NUMBERS	DESCRIPTION OF CHANGES	SIGNATURE	DATE				
DRAWN BY/DATE							
CHECKED BY/DATE							
APPROVED BY/DATE							
STANDARIZED BY/DATE							

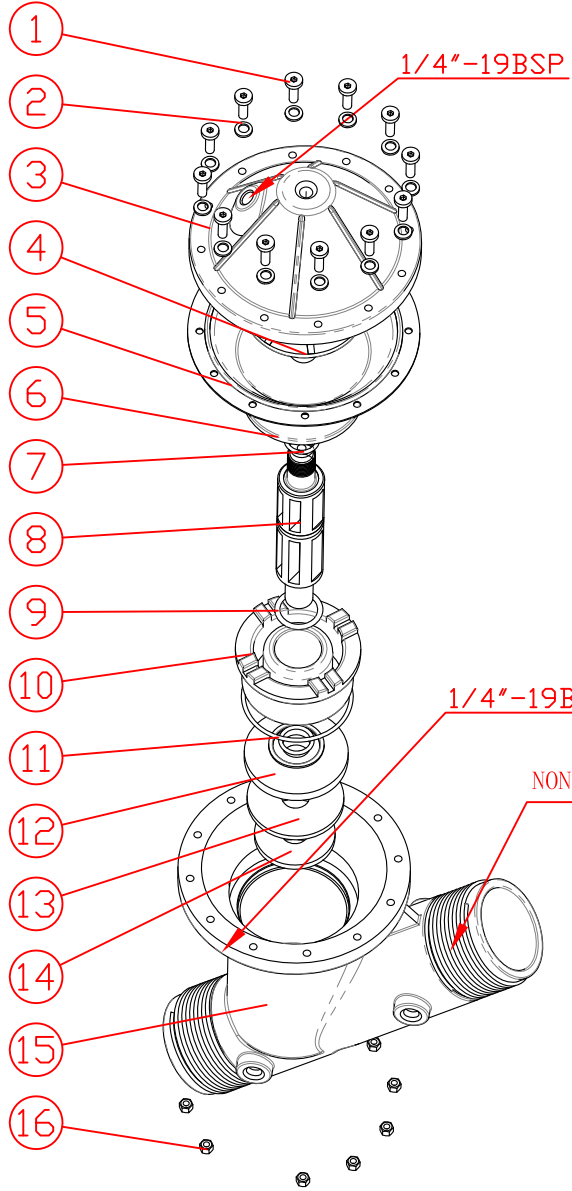
D C

B A

D C

B A

1
2
3
4
5



16	5214187	NUT	12	H62
15	5264372	BODY	1	NORYL
14	5264374	DISC PLATE NUT	1	PA6+GF
13	5264304	DISC	1	EPDM
12	5264376	DISC HOLDER	1	PA6+GF
11	5264384	O-RING	1	EPDM *
	5264385			NBR
	5264386			FKM
10	5264308	SHAFT GUIDE	1	ABS
9	5264381	O-RING	1	EPDM *
	5264382			NBR
	5264383			FKM
8	5264306	SHAFT	1	ABS
7	5264387	O-RING	2	EPDM *
	5264388			NBR
	5264389			FKM
6	5264322	LWR DIAPH. PLATE	1	PA6+GF
5	5264310	DIAPHRAGM	1	NBR
4	5264313	UPR DIAPH. PLATE	1	PA6+GF
3	5264379	CAP	1	NORYL
2	5264550	GASKET	24	SS304
1	5264390	BOLT	12	SS304
NO.	PART NO.	DESCRIPTION	QTY.	MATERIAL

NOTE: * REPRESENT DEFAULT MATERIAL.

				JKmatic			
				Y526			
				REVISION	QUANTITY	WEIGHT	SCALE
				04	/	/	/
				UNREMARKED TOLERANCES	SHEET 1 OF 1		
				MATERIAL GRADE	5261006		
				NORYL			
NUMBERS	DESCRIPTION OF CHANGES	SIGNATURE	DATE				
DRAWN BY/DATE							
CHECKED BY/DATE							
APPROVED BY/DATE							
STANDARIZED BY/DATE							

D C B A